



BRIHANMUMBAI MUNICIPAL CORPORATION

Hydraulic .Engineer's department in O.C. Division

E-TENDER FOR

Name of Work: Providing three layers epoxy based anticorrosive coating to New Tansa main from Tansa to Pogaon and Vaitarna main from Pachhapur to Pogaon in O.C. Division.

BID DOCUMENT

Website: portal.mcgm.gov.in/tenders

Office of: Dy. Hydraulic Engineer (Operation)
B.M.C. Water Works Yard, Kapurbawdi,
P.O.Sandoz Baug, Kapurbawdi,
Thane (W) - 400607.
Tel.No.022-25431905 / 022-25421094
FAX: 022-25445722
E-mail : dyheoperations.he@mcgm.gov.in

Prepared by

Checked by

Sd/-
S.E.(Tansa)

Sd/-
S.E.(Jamboli)

Sd/-
A.E. (Tansa)

Sd/-
A.E.W.W.Kapurkawdi

Recommended by

Approved by

Sd/-
Ex. Eng.(Operations)

Sd/-
Dy. H.E.(Operations)

“INDEX”

| SECTION | DESCRIPTION | PG-NO. |
|----------------|------------------------------------|---------------|
| 1 | E-TENDER NOTICE | 3-6 |
| 2 | ELIGIBILITY CRITERIA | 7-9 |
| 3 | DISCLAIMER | 10-12 |
| 4 | INTRODUCTION | 13-14 |
| 5 | E-TENDER ONLINE SUBMISSION PROCESS | 15-17 |
| 6 | INSTRUCTIONS TO APPLICANTS | 18-34 |
| 7 | SCOPE OF WORK | 35-36 |
| 8 | BILL OF QUANTITIES | 37-40 |
| 9 | GENERAL CONDITIONS OF CONTRACT | 41-77 |
| 10 | SPECIFICATIONS | 78-87 |
| 11 | FRAUD AND CORRUPT PRACTICES | 86-87 |
| 12 | PRE-BID MEETING | 88 |
| 13 | LIST OF APPROVED BANKS | 89 |
| 14 | APPENDIX | 90-115 |

SECTION - 1
E-TENDER NOTICE

BRIHANMUMBAI MUNICIPAL CORPORATION

Hydraulic Engineer's Department / O.C. Division

No. Dy. HE / Ops / 226 Dtd. 12.10.2022

e-tender notice

Subject: Providing three layers epoxy based anticorrosive coating to New Tansa main from Tansa to Pogaon and Vaitarna main from Pachhapur to Pogaon under in O.C. Division.

The Brihanmumbai Municipal Corporation (BMC) invites online e-tender on percentage rate basis to appoint Contractor for the subject work from contractors of reputed, multidisciplinary engineering organizations i.e. eminent firm, Proprietary/Partnership Firms/ Private Limited Companies/ Public Limited Companies/Companies registered under the Indian companies' act 2013, the contractors registered with the Brihanmumbai Municipal Corporation, (BMC) in **Civil class I(B) and above / in M & E Class A / Registered Contractor in Civil or M&E with Government / Semi Government Organization or Military Engineering Services in equivalent or higher class and category / Reputed Manufacturers of Anti-Corrosive Epoxy paints, having eligibility / qualification criteria mentioned in the e-tender** will be allowed subject to condition that, in case of registered contractors, those contractors who are not registered with BMC will have to apply for registering their firm within three months time period from the award of contract, otherwise their Bid Security i.e. E.M.D (Earnest Money Deposit) will be forfeited/recovered and an amount equal to Registration Fee of respective class will be recovered as penalty.

Bidding Process will comprise of THREE stages.

The application form can be downloaded from BMC's portal (<http://portal.mcgm.gov.in>) on payment of **Rs. 10,400.00 + 18% GST (9% CGST+9% SGST)**. The applicants not registered with BMC are mandated to get registered (Vendor Registration) with BMC for e-tendering process & obtain login credentials to participate in the online bidding process.

i) To download the application form, for those applicants not having vendor registration, need to apply first for vendor registration at the office of Account Officer (FAR), 3rd floor, Municipal Headquarter.

ii) Followed by SRM login ID and password to be obtained from Central Purchase Department (CPD), Office at Byculla, Bakariadda, Mumbai

iii) For e-Tendering registration, enrollment for digital signature certificates and user manual, please refer to respective links provided in 'Tenders' tab. Vendors can get digital signature from any one of the Certifying Authorities (CA's) licensed by controller of certifying authorities namely, Safes crypt, IDRBT, National informatics center, TCS, CUSTOMS, MTNL, GNFC and e- Mudhra CA.

| Tender No. | Name and location of work | Contract period | Estimated Cost of Project |
|------------|--|------------------------------------|---------------------------|
| 7200037144 | <u>Providing three layers epoxy based anticorrosive coating to New Tansa main from Tansa to Pogaon and Vaitarna main from Pachhapur to Pogaon in O.C. Division.</u> | 8 Months (Exclusive of Monsoon) | Rs. 17,62,39,720.00 |

In terms of the 3 stage system of e-tendering, a Bidder will be required to deposit, along with its Bid, an Earnest Money Deposit of **Rs. 17,62,400.00** (the "EMD"), refundable in accordance to the relevant clause of bid document, from the Bid Due Date, except in the case of the selected Bidder whose Bid Security/EMD shall be retained. The Bidders will have to provide Earnest Money Deposit through the payment gateways while submitting

the bids. The Bid shall be summarily rejected if it is not accompanied by the Earnest Money Deposit. The e-tender is available on BMC portal (<http://portal.mcgm.gov.in>) as mentioned in the Header Data of the tender.

As per THREE Packet systems, the document for Packet A & B is to be uploaded by the bidder in vendors' document online in Packet A, B. Packet A, B & C shall be opened on dates as mentioned in header data. All the responsive and eligible bidders if they so wish can be present at the time of opening of bids, in the office of Dy. Hydraulic Engineer (Operations). The Packet C shall be opened if bids submission in Packet A & B satisfies/includes all the requirements and same are found acceptable to the Authority.

The Municipal Commissioner reserves the right to reject all or any of the e- tender(s) without assigning any reasons at any stage.

The dates and time for submission and opening the bids are as shown in the Header Data. If there are any changes in the dates the same will be displayed on the BMC Portal. (<http://portal.mcgm.gov.in>)

The Applicants interested for the above referred works may contact the Dy. Hydraulic Engineer (Operation) at the following address on any working day during office hours.

Office of: Dy. Hydraulic Engineer (Operations)

B.M.C. Water Works Yard, Kapurbawdi,
P.O.Sandoz Baug, Kapurbawdi,
Thane (W) - 400607.
Tel.No.022-25431905 / 022-25421094
FAX: 022-25445722
E-mail : dyheoperations.he@mcgm.gov.in

The applicants may wish to visit the site under reference located in outside city division of Hydraulic Engineers department from Tansa to Pogaon in Tal. Bhiwandi, Dist:Thane and can collect the information of the present status from the department who have invited the bids.

The BMC reserves the rights to accept any of the application or reject any or all the application received for above works, without assigning any reasons thereof. The information regarding above subject matter is available on Website of BMC. (<http://portal.mcgm.gov.in/tenders>)

Sd/-

**Dy. Hydraulic Engineer
(Operations)**

Header Data

| | |
|--|---|
| Bid no. | 7200037144 / 2022-23 |
| Name of Organization | Brihanmumbai Municipal Corporation |
| Subject | <u>Providing three layers epoxy based anticorrosive coating to New Tansa main from Tansa to Pogaon and Vaitarna main from Pachhapur to Pogaon under in O.C. Division.</u> |
| Cost of Tender | Rs.10,400.00 + 18% GST (9% CGST+9% SGST) |
| Bid Security Deposit/ EMD | Rs. 17,62,400.00 |
| Date of issue and sale of tender | 14.10.2022 at 16.00 Hrs. |
| Last date &time for sale of tender & Receipt of Bid Security Deposit | 03.11.2022 up to 16:00 Hrs. |
| Submission of Packet A, B &Packet C(Online) | 04.11.2022 up to 16:00 Hrs. |
| Pre-Bid Meeting | N.A. |
| Opening of packet A | 04.11.2022 at 16:30 hrs. |
| Opening of packet B | 04.11.2022 at 16:35 hrs. |
| Opening of packet C | 15.11.2022 at 11:30 hrs |
| Address for communication | Office of Dy. Hydraulic Engineer (Operations) B.M.C. Water Works Yard, Kapurbawdi P.O.Sandoz Baug, Kapurbawdi, Thane (W) - 400607. Tel.No.022-25431905 / 022-25421094 FAX: 022-25445722 E-mail : dyheoperations.he@mcgm.gov.in / ee01operations.he@mcgm.gov.in |
| Venue for opening of bid | Online in Ex. Engineer (Operations)'s office. |

This tender document is not transferable.

The BMC reserves the rights to accept any of the application or reject any or all the application received for above subject without assigning any reason at any stage.

Sd/-
**Dy. Hydraulic Engineer
(Operations)**

SECTION - 2
ELIGIBILITY CRITERIA

Pre Qualification Requirements for the Bidders

| Sr.No. | Item Description | Requirement |
|-----------|---|-----------------------------|
| 1 | Experience of work of "Providing anti corrosive painting to mild steel water trunk mains/steel structure / bridges OR laying of mild steel water trunk mains including anti corrosive treatment. OR Construction / Fabrication / Repair works related with reservoirs / Pumping stations / Treatment plants / Bridges / Dockyards / Water tanks / Steel structures / Civil structures including anticorrosive painting treatment." in BMC / any State Govt. / Central Govt. / Semi Govt. / Public Sector Organizations etc. | |
| 1.a | Three similar completed works each of value not less than the value equal to 30% of estimated cost put to tender. | Rs. 5,28,72,000.00 for each |
| OR | | |
| 1.b | Two similar completed works each of value not less than the value equal to 35% of estimated cost put to tender. | Rs. 6,16,84,000.00 for each |
| OR | | |
| 1.c | One similar completed work of value equal and or not less than the 50% of estimated cost put to tender. | Rs. 8,81,19,900.00 |
| 2. | Achieved a average annual financial turnover as certified by 'Chartered Accountant' equal to 30% of the estimated cost of work in last three (3) financial years immediately preceding the Financial Year in which bids are invited | Rs. 5,28,72,000.00 |

1.1 Technical Capacity as mentioned above further: The tenderer(s) in their own name should have satisfactorily executed the work of "Providing anti corrosive painting to mild steel water trunk mains/steel structure / bridges OR laying of mild steel water trunk mains including anti corrosive treatment. OR Construction / Fabrication / Repair works related with reservoirs / Pumping stations / Treatment plants / Bridges / Dockyards / Water tanks / Steel structures / Civil structures including anticorrosive painting treatment." in B.M.C. / Government / Semi Government or Public Sector Organization during last seven years ending last day of month previous to the one in which tenders are invited as a prime contractor (or as a nominated sub-contractor, where the subcontract had involved similar nature of work as described in this bid document, provided further that all other qualification criteria are satisfied. A copy of work order along with its performance certificate duly signed by the officer not below the rank of Executive Engineer of the concerned organization shall be uploaded. The experience of successfully completed work as stated above during last seven (7) years ending last day of month previous to the one in which tender is invited should be either of the following.

a) **Three similar completed works each of value not less than the value equal to 30% of estimated cost put to tender i.e. Rs. 5,28,72,000.00 each.**

OR

b) **Two similar completed works each of value not less than the value equal to 35% of estimated cost put to tender i.e. Rs. 6,16,84,000.00 each.**

OR

c) One similar completed work of value equal and or not less than the 50% of estimated cost put to tender i.e. Rs. 8,81,19,900.00

The value of executed works shall be brought to current costing level by enhancing the actual value of work at compound rate of 10 % per annum; calculated from the date of completion to last date of receipt of applications for tenders.

1.2 Financial capacity: Achieved a average annual financial turnover as certified by 'Chartered Accountant' equal to 30% i.e Rs.5,28,72,000.00 of the estimated cost of work in **last three (3) financial years** immediately preceding the Financial Year in which bids are invited.

- To ascertain this, tenderer(s) shall furnish /upload the financial statement (Audited balance sheet) duly certified by Chartered Accountant.
- The turnover can be enhanced by 10% every year to bring the present level.

1.3 Similar Experience: The tenderer in their own name should have completed work of "Providing anti corrosive painting to mild steel water trunk mains/steel structure / bridges OR laying of mild steel water trunk mains including anti corrosive treatment. OR Construction / Fabrication / Repair works related with reservoirs / Pumping stations / Treatment plants / Bridges / Dockyards / Water tanks / Steel structures / Civil structures including anticorrosive painting treatment in B.M.C. / Government / Semi Government or Public Sector Organization during last seven years ending last day of month previous to the one in which tenders are invited as a prime contractor (or as a nominated sub-contractor, where the subcontract had involved similar nature of work as described in this bid document, provided further that all other qualification criteria are satisfied.) A copy of work order along with its performance certificate duly signed by the officer not below the rank of Executive Engineer of the concerned organization shall be uploaded. The experience of successfully completed work as stated above during last seven (7) years ending last day of month previous to the one in which tender is invited should be either of the following.

SECTION 3
DISCLAIMER

DISCLAIMER

The information contained in this e-tender document or provided to Applicant(s), whether verbally or in documentary or any other form, by or on behalf of the Brihanmumbai Municipal Corporation (BMC), hereafter also referred as "The Authority ", or any of its employees or advisors, is provided to Applicant(s) on the terms and conditions set out in this e-tender and such other terms and conditions subject to which such information is provided.

This e-tender includes statements, which reflect various assumptions and assessments arrived at by the Brihanmumbai Municipal Corporation (BMC) in relation to the Project. Such assumptions, assessments and statements do not purport to contain all the information that each Applicant may require. This e-tender may not be appropriate for all persons, and it is not possible for the Brihanmumbai Municipal Corporation (BMC), its employees or advisors to consider the investment objectives, financial situation and particular needs of each party who reads or uses this e-tender. The assumptions, assessments, statements and information contained in this e-tender may not be complete, accurate, adequate or correct. Each Applicant should therefore, conduct its own investigations and analysis and should check the accuracy, adequacy, correctness, reliability and completeness of the assumptions, assessments, statements and information contained in this e-tender and obtain independent advice from appropriate sources.

Information provided in this e-tender to the Applicant(s) is on a wide range of matters, some of which may depend upon interpretation of law. The information given is not intended to be an exhaustive account of statutory requirements and should not be regarded as a complete or authoritative statement of law. The Brihanmumbai Municipal Corporation (BMC) accepts no responsibility for the accuracy or otherwise for any interpretation or opinion on law expressed here.

The Brihanmumbai Municipal Corporation (BMC), its employees and advisors make no representation or warranty and shall have no liability to any person, including any Applicant or Bidder, under any law, statute, rules or regulations or tort, principles of restitution or unjust enrichment or otherwise for any loss, damages, cost or expense which may arise from or be incurred or suffered on account of anything contained in this e-tender or otherwise, including the accuracy, adequacy, correctness, completeness or reliability of the e-tender and any assessment, assumption, statement or information contained therein or deemed to form part of this e-tender or arising in any way with pre-qualification of Applicants for participation in the Bidding Process. The Brihanmumbai Municipal Corporation (BMC) also accepts no liability of any nature whether resulting from negligence or otherwise howsoever caused arising from reliance of any Applicant upon the statements contained in this e-tender.

The Brihanmumbai Municipal Corporation (BMC) may, in its absolute discretion but without being under any obligation to do so, update, amend or supplement the information, assessment or assumptions contained in this e-tender.

The issue of this e-tender does not imply that the Brihanmumbai Municipal Corporation (BMC) is bound to select and short-list pre-qualified Applications for Bid Stage or to appoint the selected Bidder or Concessionaire, as the case may be, for the Project and the Brihanmumbai Municipal Corporation (BMC) reserves the right to reject all or any of the Applications or Bids without assigning any reasons whatsoever.

The Applicant shall bear all its costs associated with or relating to the preparation and submission of its Application including but not limited to preparation, copying, postage, delivery fees, expenses associated with any demonstrations or presentations which may be required by The Brihanmumbai Municipal

Corporation (BMC) or any other costs incurred in connection with or relating to its Application. All such costs and expenses will remain with the Applicant and the Brihanmumbai Municipal Corporation(BMC) shall not be liable in any manner whatsoever for the same or for any other costs or other expenses incurred by an Applicant in preparation or submission of the Application, regardless of the conduct or outcome of the Bidding Process.

SECTION 4

INTRODUCTION

INTRODUCTION

Background:

The Brihanmumbai Municipal Corporation (BMC) covers an area of 437.71sq.kms.with a population of 1.24 Crores as per census of 2011. The metropolis accounts major portion of India's international trade and government's revenue, from being one of the foremost centers of education, science and technological research and advancement.

The Mumbai Metropolis has historic tradition of strong civic activism dedicated to the cause of a better life for all its citizens. And it's the Brihanmumbai Municipal Corporation (BMC), hereafter called the "corporation", the primary agency responsible for urban governance in Brihanmumbai.

BMC (The Authority) is one of the largest local self-governments in the Asian Continent. In observance of historic traditions of strong civic activism, with the change in time and living conditions to match with the urbanization, BMC has mainly focused in providing almost all kinds of engineering services viz, Hydraulics, storm water drain, sewerage, water supply projects, roads, bridges, solid waste management, and environmental services. Beside this, the BMC is also providing dedicated services in various segments such as Health, Primary Education as well as the construction and maintenance of Public Markets and Slaughter Houses.

BMC is an organization having different departments, right from engineering depts. to health depts. Moreover, we have other dept. like education, market, fire brigade dept., Octroi and other such departments where quite a good number of staff members are working.

SCOPE OF WORK

The major activities & works within the scope of work of " Providing three layers epoxy based anticorrosive coating to New Tansa main from Tansa to Pogaon and Vaitarna main from Pachhapur to Pogaon under Ex. Eng. (Operations) in O.C. Division" are as below.

- i) Excavation in earth, soil etc. around and below bottom surface of water mains to make the required space for the execution of painting work.
- ii) Cleaning of external surface of mild steel water mains & appurtenances etc. by using scrapper, wire / mechanical tool / power tools etc. and to ensure proper cleaning of water main surface and dust, dirt, grease mill scales free surface.
- iii) After consent from BMC's Engineer in charge, the work of providing one coat of two components, Amine or polyamide cured surface Tolerant Epoxy Primer on external surface of water mains, ring girders, stools and roller cover etc. After applying one coat of two components, Amine or polyamide cured surface Tolerant Epoxy Primer at every 100 mtrs. Length DFT shall be recorded by the contractor in presence of BMC's Engineer & to submit the DFT report to Engineer in charge before start of Barrier (Intermediate) coat.
- iv) After consent from BMC's Engineer in charge, epoxy high build barrier (Intermediate) coat shall be applied & DFT at every 100 mtrs. length shall be recorded by the contractor in presence of BMC's Engineer & to submit the DFT report to Engineer in charge before start of Aliphatic Polyurethane (PU) finish coat.
- v) After consent from BMC's Engineer in charge, two Component Aliphatic polyurethane (PU) finish coat on previous epoxy primer & epoxy high build barrier (Intermediate) coat on external surface of water main shall be applied. DFT after applying aliphatic polyurethane (PU) finish coat at every 100 mtrs. length shall be recorded by the contractor in presence of BMC's Engineer & to submit the DFT report to Engineer in charge.

All the photographs for each activity i.e. scrapping, cleaning, primer coat, epoxy high build barrier coat & aliphatic polyurethane (PU) finish coat shall be submitted to BMC's Engineer in charge by the contractor.

SECTION 5
E-TENDERING ONLINE
SUBMISSION PROCESS

E-TENDERING ONLINE SUBMISSION PROCESS

The terminology of e-Tendering is solely depending upon policies in existence, guidelines and methodology adopted since decades. The SRM is only change in process of accepting and evaluation of tenders in addition to manual. The SAP module to be used in this E-tendering is known as Supplier Relationship Module (SRM). SRM is designed and introduced by ABM Knowledge ware Ltd. who will assist BMC in throughout the tendering process for successful implementation.

NOTE: This tendering process is covered under Information Technology ACT & Cyber Laws as applicable

(1) In e-tendering process some of the terms and its definitions are to be read as under wherever it reflects in online tendering process.

Start Date read as "Sale Date"

End Date read as "Submission Date"

Supplier read as "Contractor/bidder"

Vendor read as "Contractor/bidder"

Vendor Quotation read as "Contractors Bid/Offer"

Purchaser read as "Department/BMC"

I. Before entering in to online tendering process, the bidders should complete the registration process so as to get User ID for E-tendering links. For this, the bidders can access through Supplier registration via BMC Portal.

There are two methods for this registration :(II and III)

II. Transfer from R3 (registered contractors with BMC) to SRM

a. Contractors already registered with BMC will approach to Vendor Transfer cell.

b. Submit his details such as (name, vendor code, address, registered Email ID, pan card etc.) to Vendor transfer cell.

c. BMC authority for Vendor Transfer, transfers the Vendor to SRM application from R3 system to SRM system.

d. Transferred Vendor receives User ID creation link on his supplied mail Id.

e. Vendor creates his User ID and Password for e-tendering applications by accessing link sent to his mail ID.

III. Online Self Registration (Temporary registration for applicant not registered with BMC)

a. Vendor fills up Self Registration form via accessing BMC portal. b. Vendor Transfer cell (same as mentioned above) accesses Supplier Registration system and accepts the Vendor request.

c. Accepted Vendor receives User ID creation email with Link on his supplied mail Id.

d. Vendor creates his User ID and Password for e-tendering application.

IV. CONTRACTORS BIDDING: Applicant will Quote and Upload Tender Documents

1. Access e-tender link of SRM Portal

2. Log in with User ID and Password

3. Selects desired Bid Invitation (he wants to bid)

4. To download tender documents bidders will have to pay online Tender fee. The same can be done by accessing Pay Tender Fees option. By this one will be able to pay Tender fee through Payment Gateway-If transaction successful, bidders can register his interest to participate. Without Registration one cannot quote for the Bid/Tender.

5. Applicant will download Tender Documents from Information from purchaser tab by accessing Purchaser document folder through collaboration 'C' folder link.

6. Applicant will upload Packet **A** related and Packet **B** related Documents in Packet **A** and Packet **B** folder respectively by accessing these folders through "My Notes" Tab and collaboration folder link.

7. All the documents uploaded have to be digitally signed and saved. bidders can procure there digital signature from any certified CA's in India.

8. Bid security deposit/EMD and ASD, if applicable, should be paid online as mentioned in tender.

9. For commercial details (in Packet **C**) bidders will fill data in Item Data tab in Service Line Item via details and quotes his "Percentage Variation" (i.e.% quoted) figure.(If entered '0' it will be treated as at par. By default the value is zero only.

10. Applicants to check the bid, digitally signs & save and submit his Bid Invitation.

11. Applicants can also save his uploaded documents/commercial information without submitting the BID for future editing through 'HOLD' option.

12. Please note that "Hold" action do not submit the Bid.

13. Applicants will receive confirmation once the Bid is submitted.

14. Bid creator (BMC) starts Bid Opening for Packet **A** after reaching End Date and Time and Bid Evaluation process starts.

As per Three Packet system, the document for Packet **A** is to be uploaded by the tenderer in 'Vendor's document' online in Packet **A** & also document for Packet **B** is to be uploaded by the tenderer in Packet **B**. Before purchasing/ downloading the tender copy, tenderer may refer to post- Qualification criteria mentioned in e-Tender Notice.

The tenderer shall pay the EMD/Bid Security through payment gateways before submission of Bid and shall upload the screenshot of receipt of payment in Packet '**A**' instead of paying the EMD at any of the CFC centers in BMC Ward Offices.

The e-tender is available on BMC portal, <http://portal.mcgm.gov.in>, as mentioned in the Header Data of the tender. The tenders duly filled in should be uploaded and submitted online on or before the end date of submission. The Packet '**A**', Packet '**B**' & Packet '**C**' of the tenderer will be opened as per the time-table shown in the Header Data in the office of Dy. Hydraulic Engineer (Operation)

The Municipal Commissioner reserves the right to reject all or any of the e-Tender(s) without assigning any reason at any stage. The dates and time for submission and opening the tenders are as shown in the Header Data. If there are any changes in the dates the same will be displayed on the BMC Portal (<http://portal.mcgm.gov.in>).

SECTION 6
INSTRUCTIONS TO
APPLICANTS

INSTRUCTIONS TO APPLICANTS

A) Scope of Application

The Authority wishes to receive Applications for Qualification in order to SELECT experienced and capable Applicants for the Bid Stage.

B) Eligibility of Applicants

The Brihanmumbai Municipal Corporation (BMC) invites online e-tender on percentage rate basis to appoint Contractor for the subject work in 3 packet system i.e. Packet 'A' , 'B' & 'C' on percentage rate basis from contractors of reputed, multidisciplinary engineering organizations i.e. eminent firm, Proprietary/Partnership Firms/ Private Limited Companies/ Public Limited Companies/Companies registered under the Indian companies' act 2013, the contractors registered with the Brihanmumbai Municipal Corporation, (BMC) **in Civil class I(B) and above / in M & E Class A / Registered Contractor in Civil or M&E with Government / Semi Government Organization or Military Engineering Services in equivalent or higher class and category / Reputed Manufacturers of Anti-Corrosive Epoxy paints, having eligibility / qualification criteria mentioned in the e-tender** will be allowed subject to condition that, in case of registered contractors, those contractors who are not registered with BMC will have to apply for registering their firm within three months time period from the award of contract, otherwise their Bid Security i.e. E.M.D (Earnest Money Deposit) will be forfeited/recovered and an amount equal to Registration Fee of respective class will be recovered as penalty.

To be eligible for pre-qualification and short-listing, an Applicant shall fulfill the following conditions of eligibility:

1.1 Technical Capacity: The tenderer(s) in their own name should have satisfactorily executed the work of "Providing anti corrosive painting to mild steel water trunk mains/steel structure / bridges OR laying of mild steel water trunk mains including anti corrosive treatment. OR Construction / Fabrication / Repair works related with reservoirs / Pumping stations / Treatment plants / Bridges / Dockyards / Water tanks / Steel structures / Civil structures including anticorrosive painting treatment." in B.M.C. / Government / Semi Government or Public Sector Organization during last seven years ending last day of month previous to the one in which tenders are invited as a prime contractor or as a nominated sub-contractor, where the subcontract had involved similar nature of work as described in this bid document, provided further that all other qualification criteria are satisfied. A copy of work order along with its performance certificate duly signed by the officer not below the rank of Executive Engineer of the concerned organization shall be uploaded. The experience of successfully completed work as stated above during last seven (7) years ending last day of month previous to the one in which tender is invited should be either of the following.

d) **Three similar completed works each of value not less than the value equal to 30% of estimated cost put to tender i.e. Rs. 5,28,72,000.00 each.**

OR

e) **Two similar completed works each of value not less than the value equal to 35% of estimated cost put to tender i.e. Rs. 6,16,84,000.00 each.**

OR

f) **One similar completed work of value equal and or not less than the 50% of estimated cost put to tender i.e. Rs. 8,81,19,900.00.**

The value of executed works shall be brought to current costing level by enhancing the actual value of work at compound rate of 10 % per annum; calculated from the date of completion to last date of receipt of applications for tenders.

1.2 Financial capacity: Achieved a average annual financial turnover as certified by 'Chartered Accountant' equal to 30% i.e Rs.5,28,72,000.00 of the estimated cost of work in **last three (3) financial years** immediately preceding the Financial Year in which bids are invited.

- To ascertain this, tenderer(s) shall furnish /upload the financial statement (Audited balance sheet) duly certified by Chartered Accountant.
- The turnover can be enhanced by 10% every year to bring the present level.

1.3 Similar Experience: The tenderer in their own name should have completed work of "Providing anti corrosive painting to mild steel water trunk mains/steel structure / bridges OR laying of mild steel water trunk mains including anti corrosive treatment. OR Construction / Fabrication / Repair works related with reservoirs / Pumping stations / Treatment plants / Bridges / Dockyards / Water tanks / Steel structures / Civil structures including anticorrosive painting treatment in B.M.C. / Government / Semi Government or Public Sector Organization during last seven years ending last day of month previous to the one in which tenders are invited as a prime contractor (or as a nominated sub-contractor, where the subcontract had involved similar nature of work as described in this bid document, provided further that all other qualification criteria are satisfied.) A copy of work order along with its performance certificate duly signed by the officer not below the rank of Executive Engineer of the concerned organization shall be uploaded. The experience of successfully completed work as stated above during last seven (7) years ending last day of month previous to the one in which tender is invited should be either of the following.

C) Bid Capacity:

The bid capacity of the prospective bidders will be calculated as under:

Assessed Available Bid Capacity = (A* N* 2 - B)

Where,

A = Maximum value of Civil Engineering works executed in any one year (year means Financial year) during **the last five years** (updated to the price level of the Financial year in which bids are received at a rate of 10% per year) taking into account the completed as well as works in progress.

N = Number of years prescribed for completion of the Project/Works, **excluding monsoon period**, for which these bids are being invited. (E.g. 7 months = 7/12 year) For every intervening monsoon 0.33 shall be added to N.

B = Value of existing commitments (only allotted works) on the last date of submission of bids as per bidding document and on-going works to be completed during the period of completion of the Project/Works for which these bids are being invited.

Note: The statement showing the value of existing commitments and on-going works as well as the stipulated period of completion remaining for each of the works listed should be attached along with certificates duly signed by the Engineer-in Charge, not below the rank of an Executive Engineer or equivalent.

Even though the bidders meet the above qualifying criteria, they are subject to be disqualified if they have:

- made misleading or false representation in the forms, statements and attachments submitted in proof of the qualification requirements; and/or Record for poor performance such as abandoning the works, not properly completing the contract, inordinate delays in completion, litigation history, or financial failures etc.

D) Equipment Capabilities as required for this work:

The successful Bidder will make the arrangements of the required equipments on the day of commencement or with respect to the progress of the work in phases, as per the instructions of site In-charge. The Bidder shall submit the undertaking for equipment capability and other undertakings as such on a single Rs.500/- stamp paper.

E) Technical Personnel

Technical Staff as required for this work shall be as follows:-

| Requirement of Technical Staff | | Qualification/Minimum similar Experience (year) | Designation |
|--|--------|--|-------------------------------------|
| Post | Number | | |
| Project Manager | 1 | At least B.E. (Civil) / B.E.(Mech.) with min. 10 years' experience. | Principal Technical Representative. |
| Technical Representative | 1 | B.E. (Civil) / B.E.(Mech) with min. 5 years | |
| Project Planning/ billing Engineer/ Site Engineers | 2 | B.E. (Civil) / B.E.(Mech) with min. 2 years experience or D.C.E. /D.M.E. with min. 5 years experience. | Project /Site Engineer |

F) TIME PERIOD OF THE PROJECT:

Entire project should be completed and delivered within **8 (Eight) months** of time from the date of award of contract **that excludes Monsoon**. The time allowed for carrying out the work as entered in the Tender shall be strictly observed by the Contractor and shall be reckoned from the date on which the work order is given to the Contractor. The work shall throughout the stipulated period of the Contract be proceeded with all due diligence as time being deemed to be the essence of the contract on the part of the Contractor. On failing to do so, the Contractor shall pay as compensation an amount which shall be governed as per Clause - 8(e) of Standard General Conditions of Contract. The Contractor should complete the work as per phase given below:

¼ of the work in .. ¼ of the time

½ of the work in .. ½ of the time

¾ of the work in .. ¾ of the time

Full of the work in .. Full of the time

Full work will be completed in **8 months** excluding monsoon.

The programme for completion of work shall be a part of the Contract Document in the form of Bar Chart / GANTT Chart. The Contractor is supposed to carry out the work and keep the progress as per Bar Chart/GANTT Chart. The Contractor shall complete the work as per the Schedule given in the Contract and the programme submitted by the Contractor.

G. Contract Execution

All required documents for execution of the contract shall be submitted within 30 days from the date of issue of letter of acceptance. If the documents are not submitted within the stipulated time, a penalty of Rs. 5000/- per day will be applicable to the contractor. All contract documents need to be duly affixed with

stamp duty properly signed along with evidence/proof of payment of security/contract deposit/ within 30 days from the date of letter of acceptance received by him.

H. If the amount of the Contract Deposit to be paid above is not paid within 30 days from the date of issue of Letter of Acceptance, the Tender / Contractor already accepted shall be considered as canceled and legal steps be taken against the contractor for recovery of the amounts.

I. The amount of Security Deposit retained by the BMC shall be released after expiry of period up to which the contractor has agreed to maintain the work in good order is over. In the event of the contractor failing or neglecting to complete the rectification work within the period up to which the contractor has agreed to maintain the work in good order, the amount of security deposit retained by BMC shall be adjusted to-wards the excess cost incurred by the Department on rectification work.

J. Action when whole of security deposit is forfeited: In any case in which under any Clause of this contract, the contractor shall have rendered himself liable to pay compensation amounting to the whole of this security deposit whether paid in one sum or deducted by installments or in the case of abandonment of the work owing to serious illness or death of the contractor or any other cause, the Engineer on behalf of the Municipal Commissioner shall have power to adopt any of the following process, as he may deem best suited to the interest of BMC - (a) To rescind the contract (for which recession notice in writing to the contractor under the head of Executive Engineer shall be conclusive evidence) and in that case, the security deposit of the contract shall stand forfeited and be absolutely at the disposal of BMC. (b) To carry out the work or any part of the work departmentally debiting the contractor with the cost of the work, expenditure incurred on tools and plant, and charges on additional supervisory staff including the cost of work-charged establishment employed for getting the un-executed part of the work completed and crediting him with the value of the work done departmentally in all respects in the same manner and at the same rates as if it had been carried out by the contractor under the terms of his contract. The certificate of the Executive Engineer as to the costs and other allied expenses so incurred and as to the value of the work so done departmentally shall be final and conclusive against the contractor. (c) To order that the work of the contractor be measured up and to take such part thereof as shall be un-executed out of his hands, and to give it to another contractor to complete, in which case all expenses incurred on advertisement for fixing a new contracting agency, additional supervisory staff including the cost of work charged establishment and the cost of the work executed by the new contract agency will be debited to the contractor and the value of the work done or executed through the new contractor shall be credited to the contractor in all respects and in the same manner and at the same rates as if it had been carried out by the contractor under the terms of his contract. The certificate of the Executive Engineer as to all the cost of the work and other expenses incurred as aforesaid for or in getting the un-executed work done by the new contractor and as to the value of the work so done shall be final and conclusive against the contractor.

In case the contract shall be rescinded under Clause (a) above, the contractor shall not be entitled to recover or be paid any sum for any work therefor actually performed by him under this contract unless and until the Executive Engineer shall have certified in writing the performance of such work and the amount payable to him in respect thereof and he shall only be entitled to be paid the amount so certified. In the event of either of the courses referred to in Clause (b) or (c) being adopted and the cost of the work executed departmentally or through a new contractor and other allied expenses exceeding the value of such work credited to the contractors amount of excess shall be deducted from any money due to the contractor, by BMC under the contract or otherwise, howsoever, or from his security deposit or the sale proceeds thereof provided, however, the contractor shall have no claim against BMC even if the certified value of the work done departmentally or through a new contractor exceeds the certified cost of such work and allied expenses, provided always that whichever of the three courses mentioned in clauses (a), (b) or (c) is

adopted by the Executive Engineer, the contractor shall have no claim to compensation for any loss sustained by him by reason of his having purchase or procured any materials or entered in to any engagements or made any advance on account of or with a view to the execution of the work or the performance of the contract.

K. Contract may be rescinded and security deposit forfeited for bribing a public officer or if contractor becomes insolvent

If the contractor assigns or sublets his contracts or attempt so to do, or become insolvent or commence any proceeding to get himself adjudicated and insolvent or make any composition with his creditors, or attempt so to do or if bribe, gratuity, gift, loan, perquisite, reward or advantage, pecuniary or otherwise, shall either directly or indirectly be given promised or offered by the contractor or any of his servants or agents through any public officer, or person in the employ of BMC/Govt. in any way relating to his office or employment, or if any such officer or person shall become in any way directly or indirectly interested in the contract the Engineer In-charge may thereupon, by notice in writing rescind the contract and the Security Deposit of the Contractor shall thereupon stand forfeited and be absolutely at the disposal of BMC and the same consequences shall ensure as if the contract had been rescinded under above clause J hereof; and in addition the contractor shall not be entitled to recover or be paid for any work therefore actually performed under the contract.

Submission of Tenders**PACKET – A**

The Packet 'A' shall contain scanned certified copies of the following documents

Scrutiny of this packet will be done strictly with reference to only the scanned copies of Documents uploaded online in packet 'A'

- a) In case of registered contractors, Valid Registration Certificate.
- b) In case of paint manufacturers, they shall submit company registration certificate.
- c) Valid Bank Solvency Certificate of Minimum Solvency amount as governed by Registration Rules in force for respective Class of Contractor for Civil / M&E works.
- d) A document in support of Registration under 'GST' Act.
- e) Certified copies of valid 'PAN' documents and photographs of the individuals, owners, Karta of Hindu undivided Family, firms, private limited companies, registered co-operative societies, partners of partnership firms and at least two Directors, if number of Directors are more than two in case of Private Limited Companies, as the case may be. However, in case of Public limited companies, Semi Government Undertakings, Government Undertakings, no 'PAN' documents will be insisted.
- f) Latest Partnership Deed in case of Partnership firm duly registered with Chief Accountant (Treasury) of BMC.
- g) Affidavit / undertakings as per the enclosed formats.
- h) The Register power of attorney shall be submitted in the name of person who is submitting the bid.

The bidders shall categorically provide their Email-ID in packet 'A'.

NOTE:

- ❖ If the tenderer(s) withdraw tender offer during the tender validity period, his entire E.M.D shall be forfeited.
- ❖ If it is found that the tenderer has not submitted required curable documents in Packet "A" then, the shortfalls will be communicated to the tenderer through e-mail only and compliance required to be made within a time period of **three working days** otherwise they will be treated as non-responsive.

PACKET – B**The Packet 'B' shall contain scanned certified copies of the following documents –**

- a) The list of similar type of works as stated in this bid document, successfully completed during the last seven years in prescribed proforma, in the role of prime contractor. Information furnished in the prescribed proforma (Proforma – I) shall be supported by the certificate duly self-attested. Documents stating that it has successfully completed the work during the last seven years at least one contract of similar works as stated in this bid document. The bidders shall upload copy of work order along with its performance certificate issued by officer not below the rank of Ex. Engineer.
- b) Annual financial turnover for **preceding three financial years as certified by Chartered Accountant** preceding the Financial Year in which bids are invited. **Copies of Applicants duly audited balance sheet and profit and loss account for the preceding three financial years preceding the Financial Year in which bids are invited.** (Proforma – II)
- c) Documents stating that, it has access to or has available liquid assets, unencumbered assets, lines of credit and other financial means (independent of any contractual advance payment) sufficient to meet the construction cash flow requirements for the subject contract in the event of stoppage, start-up, or other delay in payment, of the minimum 15% of the cost of the work tendered for, net of the tenderer's commitment of other contracts (Certificate from Bankers / C.A./Financial Institution shall be accepted as a evidence).
- d) The bidder shall give undertaking on Rs 500/-stamp paper that it is his/their sole responsibility to arrange the required machineries either owned/on lease or hire basis, at site before start of the work

The successful bidder shall make the arrangements of the required equipment on the day of commencement or with respect to the progress of the work in phases, as per the instructions of site in charge. To that effect, the bidder will ensure commitment on an undertaking on Rs.500 stamp paper to be submitted along with the Bid in Packet B. However, this condition in no way shall dilute the respective condition in Registration Rules of BMC.
- e) Details of works in hand (Proforma VI-A &VI-B) (original), along with copies of work orders & attested copies of percentage of works completed or part thereof.
- f) Statement showing assessed available Bid Capacity.
- g) All the undertaking on Rs.500/- stamp paper as per the proforma in the e-tender.
- h) Undertaking on Rs.500/- stamp paper stating that tenderer is conversant to all site situations and difficulties and has inspected the site personally and accordingly bid is submitted.
- i) Information on litigation history in which tenderer involved for last five years from the date of submission of bid as per directions given in the circular u/no. MGC/F/6565 dtd. 25.09.2018

Note:

- i. The Electrical / Mechanical work shall be got carried out by the civil contractors through the contractors registered with MCGM in Electrical Category. Information about the registered contractors shall be obtained from the office of the Ch.E. (M&E)/ E.E. (Monitoring &Registration Cell). Attested scanned copy of the valid registration certificate in Electrical Category shall be uploaded with the tender along with the undertaking from the registered Electrical Contractor stating his willingness to carry out the tender work.
- ii. The bidder shall submit valid registration certificate under E.S.I.C., Act 1948, if the tenderer has more than 10 employees /persons on his establishment (in case of production by use of energy) and 20 employees/persons on his establishment (in case of production without use of energy) to MCGM as and when demanded. In case of less employees/persons mentioned above then the successful bidder has to submit an undertaking to that effect on Rs. 200 stamp paper as per circular u/no. CA/FRD//65 of 30.03.2013.

- iii. The bidder shall submit valid registration certificate under E.P.F. &M.P., Act 1952, if tenderer has more than 20 employees/persons on his establishment, to MCGM as and when demanded. In case if the bidder has less employees/persons mentioned above then the successful bidder has to submit an undertaking to that effect on Rs. 200 stamp paper as per circular u/no. CA/FRD/II/44 of 04.01.13.

Note:

- If it is found that the tenderer has not submitted required curable documents in Packet "B" then, the shortfalls will be communicated to the tenderer through e-mail only and compliance required to be made within a time period of three working days otherwise they will be treated as non-responsive.

PACKET – C

- a. Online tender filled in either percentage plus or minus (above or below), or at par. (There is no separate provision to quote % in physical form, this is a part in Header Data of online Tendering). For Packet 'C' tenderer(s) will fill data in 'Item Data Tab' in Service Line Item via Details and quotes his percentage variation figures. (If entered '0' it will be treated as 'at par'. By default, the value is zero only).

Note: In case of rebate/premium of 15% and above as quoted by the tenderer, the rate analysis of major items shall be submitted by L1 and L2 bidder after demand notification by e-mail to bidders by Dy.HE.(Ops) The format for rate analysis is annexed at Annexure D.

- b. Rate analysis in prescribed format shall be submitted online to the engineer in charge within 3 working days from the date of communication on email, failing which EMD will be forfeited, and the bid will be rejected, and next successful Responsive bidder will be considered thereafter, negotiation will be done with the said successive/ responsive bidder with respect to his quoted rate.

IRREVOCABLE UNDERTAKING

ANNEXURE-A(I)

The Lowest bidder have to submit Irrevocable undertaking (Annexure-A(I)) as per CA finance circular U/No. CA/Fin/Project/19 dtd 15.09.2017 after opening of C-Packet on Rs. 500 stamp paper. The same will be communicated to the contractor through email. The documents shall be certified by the Gazette Officer or Notarized by the Notary, appointed by the Government of Maharashtra.

BID SECURITY OR EMD

- The Bidder shall furnish, as part of the Bid, Bid Security/EMD, in the amount specified in the Bid Data Sheet. This bid security shall be in favor of the authority mentioned in the Bid Data Sheet and shall be valid till the validity of the bid.
- The tenderers shall pay the EMD online instead paying the EMD at any of the CFC centers in BMC Ward Offices.
- Any bid not accompanied by an acceptable Bid Security and not secured as indicated in sub-clause mentioned above, shall be rejected by the Employer as non-responsive.
- The Bid Security of the successful Bidder will be discharged when the Bidder has signed the Agreement and furnished the required Security Deposits.
- The Bid Security/ EMD of L-3 and bidder shall be refunded immediately after opening of financial bid but, the EMD/ASD submitted by the L-2 bidder will be returned after obtaining Standing Committee Resolution.

- The Bid Security may be forfeited:
 - a) if the bidder withdraws the bid after bid opening (Opening of technical qualification part of the bid during the period of bid validity;
 - b) in the case of a successful Bidder, if the Bidder fails within the specified time limit to:
 - i. sign the Agreement; and/or
 - ii. Furnish the required Security Deposits.
- 1. The cases wherein if the shortfalls are not complied by a contractor, will be informed to Registration and Monitoring Cell. Such non-submission of documents will be considered as 'Intentional Avoidance' and if three or more cases in 12 months are re-reported, shall be viewed seriously and disciplinary action against the defaulters such as banning/de-registration, etc. shall be taken by the registration cell with due approval of the concerned AMC.
- 2. In case of curable/ non curable defects due to non-fulfillment of requirement of MCGM as prescribed & in the event, the bidder becomes non-responsive & the 10% EMD will be forfeited and bid will be rejected. This shall be in addition to any forfeiture of proportionate EMD for curable defects as per other relevant clauses of the tender document, if applicable.
- 3. In case of non workable rate analysis and misleading information submitted by the bidder, EMD shall be forfeited and bid will be rejected.

Note:

i) Curable Defect shall mean shortfalls in submission such as:

a. Non-submission of following documents,

- i. Valid Registration Certificate
- ii. Valid Bank Solvency
- iii. GST Registration Certificate
- iv. Certified Copies of PAN documents and photographs of individuals, owners, etc
- v. Partnership Deed and any other documents
- vi. Undertakings as mentioned in the tender document.
- vii. Wrong calculation of Bid Capacity.

ii) Non-curable Defect shall mean

- a. In-adequate submission of EMD/ASD amount,
- b. In-adequacy of technical and financial capacity with respect to Eligibility criteria as stipulated in the tender.
- c. No proper submission of experience certificates and other documents, etc.

In packet 'A' as well as packet 'B', 02 nos. of shortfall in curable defects will be allowed & 2% EMD will be forfeited for each shortfall thereafter.

BID VALIDITY

- **Bids shall remain valid for a period of not less than one eighty (180) days after the deadline date for bid submission specified in Bid Data Sheet. A bid valid for a shorter period shall be rejected by the Employer as non-responsive.**
- In exceptional circumstances, prior to expiry of the original time limit, the Employer may request that the bidders may extend the period of validity for a specified additional period. The request and the bidders' responses shall be made in writing or by cable. A bidder may refuse the request without forfeiting his Bid Security. A bidder agreeing to the re-quest will not be required or permitted to modify his bid, but will be required to extend the validity of his bid security for a period of the extension.

DEFECT LIABILITY PERIOD

- The Contractor is expected to carry out the construction work in Workmen like manner so as to meet the requirement and specification for the project. It is expected that the Workmanship and materials will be reasonably fit for the purpose for which they are required.
- Defects or defective work is where standard and quality of workmanship and materials as specified in the contract is deficient. Defect is defined as a failure of the completed project to satisfy the express or implied quality or quantity obligations of the construction contract. Defective construction works are as the works which fail short of complying with the express descriptions or requirements of the contract, especially any drawings or specifications with any implied terms and conditions as to its quality, workmanship, durability, aesthetic, performance or design. Defects in construction projects are attributable to various reasons.
- Some of the defects are structural defects results in cracks or collapse of faulty defective plumbing, inadequate or faulty drainage system, inadequate or faulty ventilation, cooling or heating systems, inadequate fire systems etc. The defects could be various on accounts of different reasons for variety of the projects.
- The Engineering In charge/Project Officer shall issue the practical completion certificate for the project. During the Defect Liability Period which commences on completion of the work, the Engineering In charge shall inform or the contractor is expected to be informed of any defective works by the Employer's representative of the defects and make good at contractor's cost with an intention of giving opportunity to the contractor of making good the defects appeared during that period. It is the contractor's obligation under the contract to rectify the defects that appear during Defect Liability Period and the contractor shall within a reasonable time after receipt of such instructions comply with the same at his own cost. The Engineering In charge/Project Officer shall issue a certificate to that effect and completion of making good defects shall be deemed for all the purpose of this contract to have taken place on the day named in such defect liability certificate.
- If defective work or workmanship or design have been knowingly covered-up or conceived so as to constitute fraud, commencement of the Defect Liability Period may be delayed. The decided period may be delayed until discover actually occurs on at least the defect could have been discovered with reasonable diligence, whichever is earlier.
- **The DLP shall be of 05 years.**
- Also, in case of defect, the Engineer shall give notice to the Contractor of any Defects before the end of the Defects Liability Period, which begins at. The Defects Liability Period shall be extended for as long as Defects remain to be corrected. Every time notice of Defect/Defects is given, the Contractor shall correct the notified Defect/Defects within the duration of time specified by the Engineer's notice. The Engineer may issue notice to the Contractor to carry out removal of defects or deficiencies, if any, noticed in his

inspection, or brought to his notice. The Contractor shall remove the defects and deficiencies within the period specified in the notice and submit to the Engineer a compliance report.

- It is the Completion Stage when the contractor has completed all of the works and fixed all of the defects that were on the list of issue by Engineer-in-charge. When this happens, the engineer must issue a 'Certificate of Completion'. On the issue of 'Certificate of Completion', the 'Defect Liability Period' starts. The contractor also must issue a 'Certificate statement' as an acknowledgment to the engineer not later than 14 days after the 'Certificate of Completion' has been issued. During the 'Defect Liability Period', the contractor has to obey all written instructions from the engineer to carryout repairs and fix any defects which appear in the Permanent Works. If the contractor does not ,due to his own faults finish the repair works or fix the defects by the end of 'Defect Liability Period', the 'Defect Liability Period' will continue until all works instructed by engineer is done.

SECURITY DEPOSIT AND PERFORMANCE GUARANTEE

A. Security Deposit

The security deposit shall mean and comprise of

- I) Contract Deposit and
 - II) Retention Money.
- I) **Contract Deposit** – The successful tenderer, here after referred to as the contractor shall pay an amount equal to **two (2) percent** of the contract sum shall be paid within thirty days from the date of issue of letter of acceptance. The said contract deposit shall be paid in the form of Demand Draft (D.D) only.
- II) **Retention Money** – The retention money equal to **15.00% (Fifteen percent)** of the Contract Sum will be recovered from the contractors every bill i.e. interim / running / final bill.

B. Additional Security Deposit

| Rebate Quoted by contractor | ASD Applicable |
|--|---|
| Up to 12% Rebate | No ASD |
| Rebate above 12.00 % on estimated cost | At 2.00 % of estimated cost for each % rebate & part thereof, in D.D. only. |

No additional security deposit will be applicable up to 12 % rebate. For rebate above 12% on estimated cost 2% of estimated cost for each % rebate & part thereof, in D.D. only.

The bidders shall submit the ASD as applicable in the form of Demand Draft, which is to be submitted during office hours minimum one day before opening of packet 'C' to respective Head Clerk (Expenditure) of the Engineer in-charge of the HE Division in sealed envelope. If A.S.D. is not applicable then the bidders shall submit sealed envelope mentioning on their letter head 'ASD is not applicable'.

If the bidders fails to submit the sealed envelope as mentioned above at least one day before opening of Packet 'C' within office hours then the EMD of the respective bidders will be forfeited and the company with their Directors/ Partners and other companies with the said directors / Partner will be further debarred from any tendering process for the period of at least 2 years.

C. Performance Guarantee

The successful tender, here after referred to as the contractor shall pay in the form of "Performance Guarantee" at different rates for different slabs as stated below:

| Offer | PG applicable % |
|---|--|
| For premium, at par and rebate 0 to 12% | PG = 0.92% x contract sum applicable for rebate of 12% |
| For rebate of 12.01% and more | P.G. = {0.92% x contract sum applicable for rebate of 12%} + (X) x contract sum. Where, X= percentage rebate quoted more than 12% |

Note: Contract sum shall mean amount after application of rebate/premium as quoted by the contractor with contingencies only and excluding price variation.

The PG shall be paid in one the following forms.

- I) Cash (In case guarantee amount is less than Rs.10,000/-)
- II) Demand Draft (In case guarantee amount is less than Rs.1,00,000/-)
- III) Government securities
- IV) Fixed Deposit Receipts (FDR) of a Schedule Bank.
- V) An electronically issued irrevocable bank guarantee bond of any Schedule bank or in the prescribed form given in Annexure.

Performance Guarantee is applicable over and above the clause of Security Deposit. Performance Guarantee will have to be paid & shall be valid till the defect liability period or finalization of final bill whichever is later.

This deposit will be allowed in the form of I to V as mentioned above and shall be paid within 15 days after receipt of Letter of Acceptance.

D. Refund of Security Deposit

I. Refund of Contract Deposit

The Contract Deposit shall be released within 30 days after completion of three year of DLP (in case of 5 years DLP) and after issue of 'Defect Liability Certificate' (in case of 1 or 2 or 3 years DLP) subject to no recoveries are pending against the said work, provided that the Engineer is satisfied that there is no demand outstanding against the Contractor. No claim shall be made against the Balance Contract Deposit after the issue of Defects Liability Certificate.

II. Refund of Retention Money

The Retention Money will be refunded after completion of defect liability period and after issue of "Defect Liability Certificate" (in case of 1 or 3 or 5 years DLP) provided that the Engineer is satisfied that there is no demand outstanding against the Contractor. In the event of different Defects Liability Periods have been specified or become applicable to different sections or parts of the Permanent Works, the said money will be released within 30 days on expiration of such Defects Liability Periods. In the event the Engineer issues a Taking-over Certificate for a section or part of the Permanent Works, only such proposition thereof as the Engineer determines (having regard to the relative value of such section or part of the Works) shall be considered by the Engineer for payment to the Contractor.

III. Refund of Additional Security Deposit

One-half (50%) of the additional security deposited (ASD) shall be released after the completion of 50% financial progress of the work.

The balance ASD shall be released within 30 days of issue of 'Certificate of Completion' with respect to the whole of the work. In the event the Engineer issues Taking – Over Certificate for a section or a part of the permanent works, only such propositions thereof as the Engineer determines having regard to the relative value of such section or part of the works shall be considered by the Engineer for Refund of ASD to the contractor.

IV. Refund of Performance Guarantee

The Deposit on account of performance guarantee shall be released within 30 days of completion of Defects Liability Certificate subject to finalization of final bill whichever is later and no recoveries are pending against the said work, provided that the Engineer is satisfied that there is no demand outstanding against the Contractor.

❖ Summary of time of Refund of deposit is tabulated as follows:

Time of Refund for works having 5 years DLP

| Deposits refunded after completion of 50% financial progress | Deposits refunded after completion | After 3 yrs of DLP | After Completion of DLP |
|--|------------------------------------|--------------------|-------------------------|
| 50% ASD | Remaining 50% ASD | CD | RM + PG |

***Note:**

- It shall be clearly mentioned that the BG shall be applicable for individual work/contract and clubbing of various contracts of the said contractor will not be allowed. In case of obtaining Bank Guarantee, it is necessary to mention that the same shall be valid further 6 months from the completion of defect liability period/ warranty period.
- It shall be the responsibility of the bidder to keep the submitted B.G. "VALID" for the stipulated time period in the tender & in case of its expiry it will attract penalization.
- Bank Guarantee should be issued by way of General Undertaking and Guarantee issued on behalf of the Contractor by any of the Nationalized or Scheduled banks or branches of foreign banks operating under Reserve Bank of India regulations located in Mumbai upto Virar & Kalyan. List of approved Banks is appended at the end of Instructions to Bidders (ITB). The Bank Guarantee issued by branches of approved Banks beyond Kalyan and Virar can be accepted only if the said Bank Guarantee is countersigned by the Manager of a Regional Branch of the same bank within the Mumbai City Limit categorically endorsing thereon that the said Bank Guarantee is binding on the endorsing Branch of the Bank or the Bank itself within Mumbai Limits and is liable to be enforced against the said Branch of the Bank or the bank itself in case of default by the Contractors furnishing the Bank Guarantee. The Bank Guarantee shall be renewed as and when required and/or directed from time to time until the Contractor has executed and completed the works and remedied any defects therein.

E. Legal + Stationary Charges: (As per applicable circular)

Successful tender shall pay the Legal Charges + Stationary charges as per Circular no. 10318 dt. 24.03.2022 (effective from 01.04.2022 to 31.03.2023)

| Contract Value in Rs. | Legal + Stationary Charges in Rs. |
|---|-----------------------------------|
| From Rs. 10,00,00,001/- to 20,00,00,000/- | 28,220/- |

The tenderers are requested to note that stationary charges as given in the table above will be recovered from the successful tenderer for supply of requisite prescribed forms for preparing certificate bills in respect of the work.

F. Stamp Duty : (As per applicable circular)

It shall be incumbent on the successful tenderer to pay stamp duty on the contract.

- As per the provision made in Article 63, Schedule I of Bombay Stamp Act 1958, stamp duty is payable for "works contract" that is to say, a contract for works and labour or services involving transfer of property in goods (whether as goods or in some other form) in its execution and includes a sub-contract, as under :

| | | |
|---|---|--|
| 1 | Where the amount or value set forth in a such contract does not exceeds Rs. Ten Lakhs | Five hundred Rupees Stamp Duty. |
| 2 | Where it exceeds Rupees Ten Lakhs | Five hundred Rupees Plus 0.1% of the amount above rupees Ten Lac subject to the maximum of Rs. Twenty Five Lac stamp duty. |

- ii. The successful bidder shall enter into a contract agreement with B.M.C. within 30 days from the date of issue of Work Order and the same should be adjudicated for payment of Stamp Duty by the successful bidder.
- iii. Further shortfall if any, in amount of stamp duty paid as against prescribed amount for the documents executed in Mumbai City & Mumbai Suburban District be recovered from the concerned work contractors and to deposit the deficit or unpaid Stamp Duty and penalty by two separate Demand Draft or Pay Order in favour of "Superintendent of Stamp, Mumbai" within 15 days from intimation thereof.
- iv. All legal charges and incidental expenses in this respect shall be borne and paid by the successful tenderer.

Note : The stamp duty is acceptable in the form of Stamp, Bond, Franking, e- Stamp, MTR 6 & E- SBTR. The stamp duty payable in the form of e-Stamp, MTR 6 & E-SBTR should be defaced by the accepting authority. As per article 54 read with 40(b) of stamp duty act, stamp duty of 0.5% will be applicable to all bank guarantee submitted and also which are required to be renewed after expiry of time period.

IMPORTANT DIRECTIONS

1. All the information uploaded shall be supported by the corroborative documents in absence of which the information uploaded will be considered as baseless and not accepted for qualification criteria. All the documents shall be uploaded with proper pagination. The page No. shall be properly mentioned in the relevant places.
The information shall be uploaded in the sequence as asked for with proper indexing etc. The Bidder shall be fully responsible for the correctness of the information uploaded by him.
2. Applicants/Bidders shall refer portal.mcgm.gov.in/tenders for "The Manual of Bid-Submission for Percentage Rate/Item Rate Tender Document." The detail guidelines for creation and submission of bid are available in the referred document.
Any queries or request for additional information concerning this TENDER shall be submitted by e-mail to dyheoperations.he@mcgm.gov.in The subject shall clearly **bear the following identification/ title: "Queries/ Request for Additional Information: TENDER for Providing three layers epoxy based anticorrosive coating to New Tansa main from Tansa to Pogaon and Vaitarna main from Pachhapur to Pogaon under Ex. Eng. (Operations) in O.C. Division** Any changes in mail ID will be intimated on the portal.
3. In case of **Equal Percentage** of lowest bidders (L1), the allotment of work shall be done by giving **48 hrs (2 working days)** from the day of opening of packet C **on same BID-Documents number for re-quoting** and such development needs to be done by IT department in BMC's SRM system. **Till such**

development is made; 'Sealed Bids' shall be called from the bidders quoting the same rates i.e. L1.

In case of equal percentage of lowest bidders is obtained even after re-quoting, then the successful bidder will be decided by lottery system by Hydraulic Engineer.

The bidder shall need to submit the additional ASD if applicable within 7 days after receipt of notification issued by Hydraulic Engineer.

Also, the Performance Guarantee shall be paid in 15 days after receipt of Letter of Acceptance.

SECTION 7
SCOPE OF WORK

BRIHANMUMBAI MUNICIPAL CORPORATION
(HYDRAULIC ENGINEER'S DEPARTMENT)

Sub: Providing three layers epoxy based anticorrosive coating to New Tansa main from Tansa to Pogaon and Vaitarna main from Pachhapur to Pogaon under Ex. Eng. (Operations) in O.C. Division.

The major activities & works within the scope of work of "Providing three layers epoxy based anticorrosive coating to New Tansa main from Tansa to Pogaon and Vaitarna main from Pachhapur to Pogaon under Ex. Eng. (Operations) in O.C. Division" are as below.

- i) Excavation in earth, soil etc. around and below bottom surface of water mains to make the required space for the execution of painting work.
- ii) Cleaning of external surface of mild steel water mains & appurtenances etc. by using scrapper, wire / mechanical tool / power tools etc. and to ensure proper cleaning of water main surface and dust, dirt, grease mill scales free surface.
- iii) After consent from BMC's Engineer in charge, the work of providing one coat of two components, Amine or polyamide cured surface Tolerant Epoxy Primer on external surface of water mains, ring girders, stools and roller cover etc. After applying one coat of two components, Amine or polyamide cured surface Tolerant Epoxy Primer at every 100 mtrs. Length DFT shall be recorded by the contractor in presence of BMC's Engineer & to submit the DFT report to Engineer in charge before start of Barrier (Intermediate) coat.
- iv) After consent from BMC's Engineer in charge, epoxy high build barrier (Intermediate) coat shall be applied & DFT at every 100 mtrs. length shall be recorded by the contractor in presence of BMC's Engineer & to submit the DFT report to Engineer in charge before start of Aliphatic Polyurethane (PU) finish coat.
- v) After consent from BMC's Engineer in charge, two Component Aliphatic polyurethane (PU) finish coat on previous epoxy primer & epoxy high build barrier (Intermediate) coat on external surface of water main shall be applied. DFT after applying aliphatic polyurethane (PU) finish coat at every 100 mtrs. length shall be recorded by the contractor in presence of BMC's Engineer & to submit the DFT report to Engineer in charge.

All the photographs for each activity i.e. scrapping, cleaning, primer coat, epoxy high build barrier coat & aliphatic polyurethane (PU) finish coat shall be submitted to BMC's Engineer in charge by the contractor.

SECTION 8
BILL OF QUANTITIES

BRIHANMUMBAI MUNICIPAL CORPORATION
Hydraulic Engineer's Department / O.C. Division

Sub : Providing three layers epoxy based anticorrosive coating to New Tansa main from Tansa to Pogaon and Vaitarna main from Pachhapur to Pogaon under Ex. Eng. (Operations) in O.C. Division.

Schedule of Quantities & Rates

| Sr. No. | ITEM | DESCRIPTION | Qty | UNIT | RATE / UNIT | Amount |
|---------|-------------|---|-------|------|-------------|------------|
| 1 | R2-WSP-1-1 | Clearing the land of all vegetation, stumps, removal of roots, cutting and disposal of the trees upto 30 cms. in girth. | 63230 | SQM | 60 | 3793800.00 |
| 2 | R2-CS-EW-15 | Excavation over areas for basements, roads, land/plot developement in all types of soils, vegetable earth, soft murum, running sand, shingle, turf clay, loam, peat, ash, shale, slag, chalk, garbage,muddy/ marshy/ slushy soil, marine clay, reclaimed land etc. for all depths/lifts including manual dewatering, filling the selected excavated earth at the locations as directed, in layers not more than 200mm thickness, watering, consolidating, compacting to achieve not less then 97% Modified Proctor density conforming to relevant IS, stacking the selected material in measurable heaps for future use within owners space or disposing within an initial lead of 150m as directed, loading, unloading, leveling excluding shoring, strutting etc. complete as directed by Engineer-in-Charge. Note: 1) The rate includes the handling/supporting the existing utilities such as cables, drains, pipes, water mains etc. | 2860 | CUM | 226 | 646360.00 |

| | | | | | | |
|---|---------------|--|-----------|-----|-----|-------------|
| 3 | HE-OC-SP-FI-1 | Cleaning of exterior surface of mild steel water trunk main, ring girders, stools & roller covers etc. manually by means of scrapper, wire brushes & mechanical srapper by use of D.G. wherever required. Cleaning including removing all the dust, dirt, loose rust, loose paint flakes, oil / grease etc completely from the surface and preparing the surface totally clean as directed by Engineer-in -Charge | 458310.00 | SQM | 72 | 32998320.00 |
| 4 | HE-OC-EP-FI-2 | Providing and applying two component Amine or polyamide cured surface Tolerant Epoxy Primer on external surface of water trunk main, ring girders, stools and roller cover etc. using best quality brush/ airless spray with best workmanship and in approved manner as per directions at site to get minimum Dry Film Thickness of 100 microns as per specifications and as directed by Engineer-in - Charge | 458310.00 | SQM | 80 | 36664800.00 |
| 5 | HE-OC-EB-FI-3 | Providing and applying two component high build epoxy barrier / intermediate coat after curing of previous epoxy primer coat on external surface of water trunk main, ring girders, stools and roller cover etc. using best quality brush / roller / spray with best workmanship in approved manner as per directions at site to get minimum Dry film thickness of 125 micron as per specifications and as directed by Engineer-in -Charge | 458310.00 | SQM | 126 | 57747060.00 |

| | | | | | | |
|---|---------------|--|------------------|------|----|------------------------|
| 6 | HE-OC-PU-FI-4 | Providing and applying two Component Polyurethane finish coat on previous epoxy primer & barrier coat on external surface of water trunk main, ring girders, stools and roller cover etc. using best quality brush / roller / spray with best workmanship and in approved manner as per directions at site to get minimum Dry Film Thickness of 50 micron as per specifications and as directed by Engineer-in -Charge | 458310.00 | SQM | 94 | 43081140.00 |
| 7 | R2-CS-PN-17-B | Lettering or numbering of 65 mm to 75mm height with synthetic enamel paint in any approved colour, style and pattern, including french polishing or synthetic enamel painting the back ground with three coats of approved colour etc. complete as directed by Engineer-in-charge. With synthetic enamel / oil paint of golden colour. | 36340 | NOS. | 36 | 1308240.00 |
| | | | Total Rs. | | | 17,62,39,720.00 |

SECTION 9
GENERAL CONDITIONS OF CONTRACT

General Conditions of Contract

A. General

1. Definitions

1.1 Terms which are defined in the Contract Data are not also defined in the Conditions of Contract but keep their defined meanings. Capital initials are used to identify defined terms.

The “Contract” shall mean the tender and acceptance thereof and the formal agreement if any, executed between the Contractor, Commissioner and the Corporation together with the documents referred to therein including these conditions and appendices and any special conditions, the specifications, designs, drawings, price schedules, bills of quantities and schedule of rates. All these documents taken together shall be deemed to form one Contract and shall be complementary to one another.

The Contract Data defines the documents and other information which comprise the Contract.

The “Contractor” shall mean the individual or firm or company whether incorporated or not, whose tender has been accepted by the employer and the legal successor of the individual or firm or company, but not (except with the consent of the Employer) any assignee of such person.

The Bidder is a person or corporate body who has desired to submit Bid to carry out the Works, including routine maintenance till the tender process is concluded.

The Contractor’s Bid is the completed bidding document submitted by the Contractor to the Employer.

The “Contract Sum” means the sum named in the letter of acceptance including Physical contingencies subject to such addition thereto or deduction there-from as may be made under the provisions hereinafter contained.

Note : The contract sum shall include the following –

- In the case of percentage rate contracts the estimated value of works as mentioned in the tender adjusted by the Contractor’s percentage.
- In the case of item rate contracts, the cost of the work arrived at after finalization of the quantities shown in schedule of items / quantities by the item rates quoted by the tenderers for various items and summation of the extended cost of each item.
- In case of lump sum contract, the sum for which tender is accepted.
- Special discount / rebate / trade discount offered by the tenderer if any and accepted by the Corporation.
- Additions or deletions that are accepted after opening of the tenders.

The “Contract Cost” means the Contract Sum plus Price Variation. This cost shall be included in the letter of acceptance.

A Defect is any part of the Works not completed in accordance with the Contract.

The Defects Liability Certificate is the certificate issued by the Engineer, after the Defect Liability Period has ended and upon correction of Defects by the Contractor.

Drawings means all the drawings, calculations and technical information of a like nature provided by the Engineer to the Contractor under the Contract and all drawings, calculations, samples, patterns, models, operation & maintenance manual and other technical information of like nature submitted by the Contractor and approved by the Engineer.

The Authority shall mean Brihanmumbai Municipal Corporation (BMC)

The “Employer” shall mean the Municipal Corporation for BRIHANMUMBAI / Municipal Commissioner for BRIHANMUMBAI, for the time being holding the said office and also his successors and shall also include all “Additional Municipal Commissioners, Director (Engineering Services & Projects)” and the Deputy Municipal Commissioner, to whom the powers of Municipal Commissioner, have been deputed under Section 56 and 56B of the Mumbai Municipal Corporation Act.

The Engineer in-charge shall mean the Executive Engineer in executive charge of the works and shall include the superior officers of the Engineering department i.e. Dy.Ch.Eng / Ch.Eng. and shall mean and include all the successors in BMC

The Engineer's Representative shall mean the Assistant Engineer, Sub. Engineer/Jr. Engineer in direct charge of the works and shall include Sub Eng./ Jr. Eng of Civil section/ Mechanical section/ Electrical section appointed by BMC.

The "Engineer" shall mean the City Engineer / the Hydraulic Engineer / the Chief Engineer / the Special Engineer, appointed for the time being or any other officer or officers of the Municipal Corporation who may be authorized by the commissioner to carry out the functions of the City Engineer / the Hydraulic Engineer / the Chief Engineer / the Special Engineer or any other competent person appointed by the employer and notified in writing to the Contractor to act in replacement of the Engineer from time to time.

Contractor's Equipment means all appliances and things of whatsoever nature required for the execution and completions of the Works and the remedying of any defects therein, but does not include plant material or other things intended to form or forming part of the Permanent Works.

The Initial Contract Price is the Contract Price listed in the Employer's Letter of Acceptance.

The Intended Completion Date is the date on which it is intended that the Contractor shall complete the construction works. The Intended Completion Date is specified in the Contract Data. The Intended Completion Date may be revised only by the Engineer by issuing an extension of time.

Materials are all supplies, including consumables, used by the Contractor for incorporation in the Works and works of routine maintenance.

Plant is any integral part of the Works that shall have a mechanical, electrical, electronic, chemical, or biological function.

Routine Maintenance is the maintenance of activities of the completed structure for five years as specified in the Contract Data.

The "Site" shall mean the land and other places including water bodies more specifically mentioned in the special conditions of the tender, on, under in or through which the permanent works or temporary works are to be executed and any other lands and places provided by the Municipal Corporation for working space or any other purpose as may be specifically designated in the contract as forming part of the site.

Site Investigation Reports are those that were included in the bidding documents and are reports about the surface and subsurface conditions at the Site.

"Specification" shall mean the specification referred to in the tender and any modification thereof or addition or deduction thereto as may from time to time be furnished or approved in writing by the Engineer.

The Start Date/Commencement Date is given in the Contract Data. It is the date when the Contractor shall commence execution of the Works. It does not necessarily coincide with any of the Site Possession Dates.

A Nominated Sub-Contractor is a person or corporate body who has a Contract with the Contractor to carry out a part of the construction work and/or routine maintenance in the Contract, which includes work on the Site.

Temporary Works are works designed, constructed, installed, and removed by the Contractor that are needed for construction or installation of the Works.

Variation means a change to the:-

- i) Specification and /or Drawings (if any) which is instructed by the Employer.
- ii) Scope in the Contract which is instructed by the Employer.
- iii) Price in the Contract which is instructed by the Employer.

The Works, as defined in the Contract Data, are what the Contract requires the Contractor to construct, install, maintain, and turn over to the Employer. Routine maintenance is defined separately.

Jurisdiction: In case of any claim, dispute or difference arising in respect of a contract, the cause of action thereof shall be deemed to have arisen in Mumbai and all legal proceedings in respect of any claim, dispute or difference shall be instituted in a competent court in the City of Mumbai only.

2. Interpretation

2.1 In interpreting these Conditions of Contract, singular also means plural, male also means female or neuter, and the other way around. Headings have no significance. Words have their normal meaning under the language of the Contract unless specifically defined. The Engineer will provide instructions clarifying queries about these Conditions of Contract.

2.2 If sectional completion is specified in the Contract Data, references in the Conditions of Contract to the Works, the Completion Date, and the Intended Completion Date apply to any Section of the Works (other than references to the Completion Date and Intended Completion Date for the whole of the Works).

2.3 The documents forming the Contract shall be interpreted in the following documents: (1) Agreement, (2) Letter of Acceptance, (3) Notice to Proceed with the Work , (4) Contractor's Bid, (5) Contract Data, (6) Special Conditions of Contract Part (7) General Conditions of Contract Part I, (8) Specifications, (9) Drawings, (10) Bill of Quantities, and (11) Any other document listed in the Contract Data.

3 . Engineer's Decisions

3.1 Except where otherwise specifically stated, the Engineer will decide contractual matters between the Employer and the Contractor in the role representing the Employer. However, if the Engineer is required under the rules and regulations and orders of the Employer to obtain prior approval of some other authorities for specific actions, he will so obtain the approval, before communicating his decision to the Contractor.

3.2 Except as expressly stated in the Contract, the Engineer shall not have any authority to relieve the Contractor of any of his obligations under the contract.

4. Delegation

4.1 The Engineer, with the approval of the Employer, may delegate any of his duties and responsibilities to other person(s), except to the Adjudicator, after notifying the Contractor, and may cancel any delegation after notifying the Contractor.

5. Communications

All certificates, notices or instructions to be given to the Contractor by Employer/ Engineer shall be sent on the address or contact details given by the Contractor of Bid. The address and contact details for communication with the Employer/ Engineer shall be as per the details given in Contract Data. Communications between parties that are referred to in the conditions shall be in writing. The Notice sent by facsimile (fax) or other electronic means shall be effective on confirmation of the transmission. The Notice sent by Registered post or Speed post shall be effective on delivery or at the expiry of the normal delivery period as undertaken by the postal service.

6. Subcontracting

6.1 Unless specifically mentioned in the contract subletting will not be allowed.

Subletting, where otherwise provided by the contract shall not be more than 25% of the contract price.

6.2 The Contractor shall not be required to obtain any consent from the Employer for:

- a. the sub-contracting of any part of the Works for which the Subcontractor is named in the Contract;
- b. the provision for labour, or labour component.
- c. the purchase of Materials which are in accordance with the standards specified in the Contract.

6.3 Beyond what has been stated in clauses 6.1 and 6.2, if the Contractor proposes sub contracting any part of the work during execution of the Works, because of some unforeseen circumstances to enable him to complete the Works as per terms of the Contract, the Employer will consider the following before according approval:

- a. The Contractor shall not sub-contract the whole of the Works.
- b. The permitted subletting of work by the Contractor shall not establish any contractual relationship between the sub-contractor and the BMC and shall not relieve the Contractor of any responsibility under the Contract.

6.4 The Engineer should satisfy himself before recommending to the Employer whether

- a. the circumstances warrant such sub-contracting; and
- b. the sub-Contractor so proposed for the Work possesses the experience, qualifications and equipment necessary for the job proposed to be entrusted to him.

7. Other Contractors

7.1 The Contractor shall cooperate and share the Site with other Contractors, public authorities, utilities, and the Employer between the dates given in the Schedule of Other Contractors, as referred to in the Contract Data. The Contractor shall also provide facilities and services for them as described in the Schedule. The Employer may modify the Schedule of Other Contractors, and shall notify the Contractor of any such modification.

7.2 The Contractor should take up the works in convenient reaches as decided by the Engineer to ensure there is least hindrance to the smooth flow and safety of traffic including movement of vehicles and equipment of other Contractors till the completion of the Works.

8. Personnel

8.1 The Contractor shall employ for the construction work and routine maintenance the key personnel including technical personnel named in the Contract Data or other personnel approved by the Engineer. The Engineer will approve any proposed replacement of technical personnel only if their relevant qualifications and abilities are substantially equal to those of the personnel stated in the Contract Data.

8.2 The Contractor's personnel shall appropriately be qualified, skilled and experienced in their respective trades or occupations. The Engineer shall have authority to remove, or cause to be removed, any person employed on the site or works, who carries out duties incompetently or negligently and persists in any conduct which is prejudicial to safety, health or the protection of the environment.

8.3 If the Engineer asks the Contractor to remove a person who is a member of the Contractor's staff or work force, stating the reasons, the Contractor shall ensure that the person leaves the Site within seven days and has no further connection with the Works in the Contract.

8.4 The Contractor shall not employ any retired Gazetted officer who has worked in the Engineering Department of the BMC /State Government and has either not completed two years after the date of retirement or has not obtained BMC/State Government's permission to employment with the Contractor.

9. Employer's and Contractor's Risks

9.1 The Employer carries the risks which this Contract states are Employer's risks, and the Contractor carries the risks which this Contract states are Contractor's risks.

10. Employer's Risks

10.1 The Employer is responsible for the excepted risks which are (a) in so far as they directly affect the execution of the Works in the Employer's country, the risks of war, invasion, act of foreign enemies, rebellion, revolution, insurrection or military or usurped power, civil war, riot, commotion or disorder (unless restricted to the Contractor's employees) and contamination from any nuclear fuel or nuclear waste or radioactive toxic explosive, or (b) a cause due solely to the design of the Works, other than the Contractor's design.

11. Contractor's Risks

11.1 All risks of loss of or damage to physical property and of personal injury and death which arise during and in consequence of the performance of the Contract other than the excepted risks, referred to in clause 11.1, are the responsibility of the Contractor.

12. Insurance

12.1 The Contractor at his cost shall provide, in the joint names of the Employer and the Contractor, insurance cover from the Start Date to the end of Defects Liability Period, in the amounts and deductibles stated in the Contract Data for the following events which are due to the Contractor's risks:

- a) Loss of or damage to the Works, Plant and Materials;
- b) Loss of or damage to Equipment;
- c) Loss of or damage to property (other than the Works, Plant, Materials, and Equipment) in connection with the Contract; and
- d) Personal injury or death.

12.2 Insurance policies and certificates for insurance shall be delivered by the Contractor to the Engineer for the Engineer's approval before the Start Date. All such insurance shall provide for compensation to be payable in the types and proportions of currencies required to rectify the loss or damage incurred.

12.3 Alterations to the terms of insurance shall not be made without the approval of the Engineer.

12.4 Both parties shall comply with any conditions of the insurance policies.

12.5 If the Contractor does not provide any of the policies and certificates required, the Employer may affect the insurance which the Contractor should have provided and recover the premiums the Employer has paid, from payments otherwise due to the Contractor or if no payment is due, the payment of premiums shall be debt due.

13. Site Investigation Reports

13.1 The Contractor, in preparing the Bid, may rely, at his own risk, on any Site Investigation Reports referred to in the Contract Data, supplemented by any other information available to him, before submitting the bid.

14. Queries about the Contract Data

14.1 The Engineer will clarify queries on the Contract Data.

15. Contractor to Construct the Works and Undertake Maintenance (if specified in the tender)

15.1 The Contractor shall construct, and install and maintain the Works in accordance with the Specifications and Drawings and as per instructions of the Engineer.

15.2 The Contractor shall construct the works with intermediate technology, i.e., by manual means with medium input of machinery required to ensure the quality of works as per specifications. The Contractor shall deploy the equipment and machinery as required in the contract.

15.3 The Contractor shall take all reasonable steps to protect the environment on and off the Site and to avoid damage or nuisance to persons or to property of the public or others resulting from pollution, noise or other causes arising as a consequence of his methods of operation. During continuance of the contract, the Contractor and his sub-contractors shall abide at all times by all existing enactments on environmental protection and rules made there under, regulations, notifications and byelaws of the State or Central Government, or local authorities and any other law, bye-law, regulations that may be passed or notification that may be issued in future by the State or Central Government or the local authority. Salient features of some of the major laws that are applicable are given below:

- The Water (Prevention and Control of Pollution) Act, 1974, this provides for the prevention and control of water pollution and the maintaining and restoring of wholesomeness of water. 'Pollution' means such contamination of water or such alteration of the physical, chemical or biological properties of water or such discharge of any sewage or trade effluent or of any other liquid, gaseous or solid substance into water (whether directly or indirectly) as may, or is likely to, create a nuisance or render such water harmful or injurious to public health or safety, or to domestic, commercial, industrial, agricultural or other legitimate uses, or to the life and health of animals or plants or of aquatic organisms.
- The Air (Prevention and Control of Pollution) Act, 1981, this provides for prevention, control and abatement of air pollution. 'Air Pollution' means the presence in the atmosphere of any 'air pollutant', which means any solid, liquid or gaseous substance (including noise) present in the atmosphere in such concentration as may be or tend to be injurious to human beings or other living creatures or plants or property or environment.
- The Environment (Protection) Act, 1986, this provides for the protection and improvement of environment and for matters connected therewith, and the prevention of hazards to human beings, other living creatures, plants and property. 'Environment' includes water, air and land and the inter-relationship which exists among and between water, air and land, and human beings, other living creatures, plants, micro-organism and property.
- The Public Liability Insurance Act, 1991, This provides for public liability insurance for the purpose of providing immediate relief to the persons affected by accident occurring while handling hazardous substances and for matters connected herewith or incidental thereto. Hazardous substance means any substance or preparation which is defined as hazardous substance under the Environment (Protection) Act 1986, and exceeding such quantity as may be specified by notification by the Central Government.

16. The Works and Routine Maintenance to be completed by the Intended Completion Date

16.1 The Contractor may commence execution of the Works on the Start Date and shall carry out the Works and Routine Maintenance, if specified in the tender, in accordance with the Programme submitted by the Contractor, as updated with the approval of the Engineer, and complete them by the Intended Completion Date.

17. Approval by the Engineer

17.1 The Contractor shall submit Specifications and Drawings showing the proposed Temporary Works to the Engineer, who is to approve them if they comply with the Specifications and Drawings.

17.2 The Contractor shall be responsible for design and safety of Temporary Works.

17.3 The Engineer's approval shall not alter the Contractor's responsibility for design and safety of the Temporary Works.

17.4 The Contractor shall obtain approval of third parties to the design of the Temporary Works, where required.

17.5 All Drawings prepared by the Contractor for the execution of the temporary or permanent Works, are subject to prior approval by the Engineer before their use.

18. Safety

18.1 The Contractor shall be responsible for the safety of all activities on the Site. He shall comply with all applicable safety requirements and take care of safety of all persons entitled to be on the site and the works. He shall use reasonable efforts to keep the site and the works, both during construction and maintenance, clear of unnecessary obstruction so as to avoid danger to the persons and the users.

- Workers employed on mixing asphaltic materials, cement and lime mortars shall be provided with protective footwear and protective goggles.
- Stone breaker shall be provided with protective goggles and protective clothing and seated at sufficiently safe intervals.
- The area should be barricaded or cordoned off by suitable means to avoid mishaps of any kind. Power warning signs should be displayed for the safety of the public whenever cleaning works are undertaken during night or day.
- The workers engaged for cleaning the manholes/sewers should be properly trained before allowing working in the manhole.

18.2 Safety Programs:-

I. Have adequate safety supervision in place to ensure that safety programs set up by the firms/agencies are in compliance with prevalent laws and regulations.

II. Review safety programs developed by each of the trade firms, prepare and submit a comprehensive safety program.

III. Monitor day to day implementation of safety procedures.

18.3 First Aid Facilities: -

i. At every work place there shall be provided and maintained, so as to be easily accessible during working hours, first-aid boxes at the rate of not less than one box for 150 contract labour or part thereof ordinarily employed.

ii. The first-aid box shall be distinctly marked with a red cross on white back ground.

iii. Adequate arrangements shall be made for immediate recoupment of the equipment when necessary.

iv. Nothing except the prescribed contents shall be kept in the First-aid box.

v. The first-aid box shall be kept in charge of a responsible person who shall always be readily available during the working hours of the work place.

vi. A person in charge of the First-aid box shall be a person trained in First-aid treatment, in the work places where the number of contract labour employed is 150 or more.

19. Discoveries

19.1 Anything of historical or other interest or of significant value unexpectedly discovered on the Site shall be the property of the Employer. The Contractor shall notify the Engineer of such discoveries and carry out the Engineer's instructions for dealing with them.

20. Possession of the Site

20.1 The Employer shall handover complete or part possession of the site to the Contractor 7 days in advance of construction programme. At the start of the work, the Employer shall handover the possession of at-least 75% of the site free of all encumbrances, the remaining 25 % of the possession as per contractor's construction programme.

21. Access to the Site

21.1 The Contractor shall allow access to the Site and to any place where work in connection with the Contract is being carried out, or is intended to be carried out to the Engineer and any person/persons/agency authorized by: a. The Engineer b. The Employer or authorized by the Employer.

22. Instructions

22.1 The Contractor shall carry out all instructions of the Engineer, which comply with the applicable laws where the Site is located.

22.2 The Contractor shall permit the appointed and/or authorized persons to inspect the Site and/or accounts and records of the Contractor and its subcontractors relating to the performance of the Contract, and to have such accounts and records audited by auditors appointed, if so required. The Contractor's attention is invited to Clause of 'Fraud and Corruption', which provides, inter alia, that acts intended to materially impede the exercise of the inspection and audit rights provided for under the Clause & constitute a obstructive practice subject to contract termination.

22.3 Engineer to have power to issue further drawings or instructions:

The Engineer shall have the power and authority from time to time and at all times to make and issue such further drawings and to give such further instructions and directions as may appear to him necessary or proper for the guidance of the contractor and the good and sufficient execution of the works according to terms of the specifications and Contractor shall receive, execute, obey and be bound by the same, according to the true intent and meaning thereof, as fully and effectually as though the same had accompanied or had been mentioned or referred to in the specification, and the Engineer may also alter or vary the levels or position of nature of works contemplated by the specifications, or may order any of the works contemplated thereby to be omitted, with or without the substitution of any other works in lieu thereof, or may order any work or any portion of work executed or partially executed, to be removed, changed or altered, added if needful, may order that other works shall be substituted instead thereof and difference of expense occasioned by any such diminution or alteration so ordered and directed shall be added to or deducted from the amount of this Contract, as provided under condition no.10(a) hereinafter.

No work which radically changes the original nature of the Contract shall be ordered by the Engineer and in the event of any deviation being ordered which in the opinion of the Contractor changes the original nature of Contract he shall nevertheless carry it out and disagreement as to the nature of the work and the rate to be paid therefore shall be resolved in accordance with condition no.13d.

The time for completion of the Works, shall be in even of any deviations resulting in additional cost over the contract price being ordered, be extended or reduced reasonably by the Engineer. The Engineer's decision in this case shall be final.

B. Time Control

23. Programme

23.1 Within the time stated in the Contract Data, the Contractor shall submit to the Engineer for approval a Programme, including Environment Management Plan showing the general methods, arrangements, order, and timing for all the activities in the Works, along with monthly cash flow forecasts for the construction of works.

After the completion of the construction works, the programme for the Routine Maintenance Work, showing the general methods, arrangements, order and timing for all the activities involved in the Routine Maintenance will also be submitted by the Contractor to the Engineer for approval if specified in the tender. The programme for Routine Maintenance will be submitted in each year for the period of Maintenance.

23.2 The Contractor shall submit the list of equipment and machinery being brought to site, the list of key personnel being deployed, the list of machinery/ equipments being placed in field laboratory and the location of field laboratory along with the Programme. The Engineer shall cause these details to be verified at each appropriate stage of the programme.

23.3 An update of the Programme shall be a programme showing the actual progress achieved on each activity and the effect of the progress achieved on the timing of the remaining Works, including any changes to the sequence of the activities.

23.4 The Contractor shall submit to the Engineer for approval an updated Programme at intervals no longer than the period stated in the Contract Data. If the Contractor does not submit an updated Programme within this period, the Engineer may withhold the amount stated in the Contract Data from the next payment certificate and continue to withhold this amount until the next payment after the date on which the overdue Programme has been submitted.

23.5 The Engineer's approval of the Programme shall not alter the Contractor's obligations. The Contractor may revise the Programme and submit it to the Engineer again at any time. A revised Programme shall show the effect of Variations and Compensation Events.

24. Extension Of Time In Contracts :

Subject to any requirement in the contract as to completion of any portions or portions of the works before completion of the whole, the contractor shall fully and finally complete the whole of the works comprised in the contract (with such modifications as may be directed under conditions of this contract) by the date entered in the contract or extended date in terms of the following clauses:

a) Extension attributable to BMC

(i) Extension Due To Modification: If any modifications have been ordered which in the opinion of the Engineer have materially increased the magnitude of the work, then such extension of the contracted date of completion may be granted as shall appear to the Engineer to be reasonable in the circumstances, provided moreover that the Contractor shall be responsible for requesting such extension of the date as may be considered necessary as soon as the cause thereof shall arise and in any case **should not be less than 30 days before the expiry of the date fixed for completion of the works.**

(ii) Extension For Delay Due To BMC: In the event of any failure or delay by the BMC to hand over the Contractor possession of the lands necessary for the execution of the works or to give the necessary notice to commence the works or to provide the necessary drawings or instructions or any other delay caused by the BMC due to any other cause whatsoever, then such failure or delay

shall in no way affect or vitiate the contract or alter the character thereof or entitle the contractor to damages or compensation therefore, but in any such case, the BMC may grant such extension(s) of the completion date as may be considered reasonable.

Note: For extension of time period as governed in (i) and (ii) above, any modifications in design/drawings, specifications, quantities shall be needed to be justified with recorded reasons with approval of Ch. Eng. for not anticipating the same while preparing estimates and draft tender.

(b) Extension Of Time For Delay Due To Contractor : The time for the execution of the work or part of the works specified in the contract documents shall be deemed to be the essence of the contract and the works must be completed no later than the date(s) / the programme for completion of work as specified in the contract. If the contractor fails to complete the works within the time as specified in the contract for the reasons other than the reasons specified in above as (a.i) and (a.ii), the BMC may, if satisfied that the works can be completed by the contractor within reasonable short time thereafter, allow the contractor for further extension of time as the Engineer may decide. On such extension the BMC will be entitled without prejudice to any other right and remedy available on that behalf, to recover the compensation as governed by Clause 8(e) of GCC.

For the purpose of this Clause, the contract value of the works shall be taken as value of work as per contract agreement including any supplementary work order/contract agreement issued.

Further, competent authority while granting extension to the currency of contract under Clause (b) of as above may also consider levy of penalty, as deemed fit based on the merit of the case. Also, the reasons for granting extension shall be properly documented.

25. Delays Ordered by the Engineer

25.1 The Engineer may instruct the Contractor to delay the start or progress of any activity within the Works. Delay/delays totaling more than 30 days will require prior written approval of the DMC/AMC.

26. Management Meetings

26.1 The Engineer may require the Contractor to attend a management meeting. The business of a management meeting shall be to review the plans for progress of the Works.

26.2 The Engineer shall record the business of management meetings and provide copies of the record to those attending the meeting. The responsibility of the parties for actions to be taken shall be decided by the Engineer either at the management meeting or after the management meeting and stated in writing to all those who attended the meeting.

C. Quality Control

27.1. Work to be open to Inspection and Contractor or Responsible agent to be present

All works under or in course of execution or executed in pursuance of the contract shall at all times be open to the inspection and supervision of the Eng-in-charge and his subordinates and the contractor shall at all times during the usual working hours, at all other times, during the usual working hours and at all other times at which reasonable notice of the intention of the Eng-in-charge and his subordinates to visit the works shall have been given to the contractor, either himself be present to receive orders and instruction or have responsible agent duly accredited in writing present for that purpose. Order given to the contractors' duly authorized agent shall be considered to have the same force and effect as if they had been given to the contractor himself.

27.2. Notice To Be Given Before Work Is Covered Up The contractor shall give not less than ten days' notice in writing to the Eng-In-Charge or his subordinate in charge of the work before covering up or otherwise placing beyond the reach of measurement any work in order that the same may be

measured and correct dimension thereof taken before the same is so covered up or placed beyond the reach of measurements and shall not cover up or place beyond the reach of measurement any work without the consent in writing of the Eng-In-Charge or his subordinate incharge of the work, and if any work shall be covered up or placed beyond the reach of measurement, without such notice having been given or consent obtained the same shall be uncovered at the contractors expenses, and in default thereof no payment or allowance shall be made for such work or for the materials with which the same was executed

27.3 Works to be executed in accordance with specifications / drawings / orders etc. :

The contractor shall execute the whole and every part of the work the most substantial and workman like manner and both has regards material and every other respect in strict accordance with specifications. The contractor shall also confirm exactly, fully and faithfully to the designs, drawings and instructions in writing relating to the work signed by the Engineer In-charge and lodged in his office and to which the contractor shall be entitled to have access for the purpose of inspection at such office, or on the site or work during office hours. The contractor shall be entitled to receive three sets of contract drawings and working drawings as well as one certified copy of the accepted tender along with the work order free of cost.

27.4 Ready Mix Concrete/ Asphalt Mix

- i) The contractor shall have to arrange Ready Mix concrete (RMC)/Asphalt from RMC/ASPHALT producing plants registered with BMC
- ii) The contractor shall, within a 7days of award of the work, submit a list of at least three RMC/Asphalt producers with details of such plants including details and number of transit, mixers & pumps etc. to be deployed indicating name of owner/company, its location, capacity, technical establishment.

The Engineer-in-charge will reserve right to inspect at any stage and reject the concrete if he is not satisfied about quality of product at the user's end.

- iii) The Engineer-in-charge reserves the right to exercise control over the: -

- a) Calibration check of the RMC/Asphalt plant.
- b) Weight and quantity check on the ingredients, water and admixtures added for batch mixing for RMC plants
- c) Time of mixing of concrete/grade of asphalt.
- d) Testing of fresh concrete/asphalt mix, recording of results and declaring the mix fit or unfit for use. This will include continuous control on the work ability during production and taking corrective action, if required.
- e) For exercising such control, the Engineer-in-charge shall periodically depute his authorized representative at the RMC/Asphalt plant. It shall be responsibility of the contractor to ensure that all necessary equipment, manpower & facilities are made available to Engineer-in-charge and or his authorized representative at RMC/Asphalt plant.
- f) All required relevant records of RMC/Asphalt mix shall be made available to the Engineer-in-charge or his authorized representative. Engineer-in-charge shall, as required, specify guidelines & additional procedures for quality control & other parameters in respect of material production & transportation of concrete mix which shall be binding on the contractor & the RMC/Asphalt plant. Only concrete as approved in design mix by Engineer-in-charge shall be produced in RMC plant and transported to the site.

g) The contractor shall have to produce a copy of chalan receipts/SCADA reports/VTS reports as issued by the RMC/Asphalt plant as a documentary proof in lieu of supply of RMC/Asphalt mix before releasing payment.

28. Identifying Defects

28.1 The Engineer shall check the Contractor's work and notify the Contractor of any Defects that are found. Such checking shall not affect the Contractor's responsibilities. The Engineer may instruct the Contractor to search for a Defect and to uncover and test any work that the Engineer considers may have a Defect.

28.2 The Contractor shall permit the Employer's technical person(s) to check the Contractor's work and notify the Engineer and Contractor if any defects that are found.

29. Tests (NA)

29.1 For carrying out mandatory tests as prescribed in the specifications, the Contractor shall establish field laboratory at the location decided by Engineer. The field laboratory will have minimum of equipments as specified in the Contract Data. The contractor shall be solely responsible for:

- a. Carrying out the mandatory tests prescribed in the Specifications, and
- b. For the correctness of the test results, whether preformed in his laboratory or elsewhere.

29.2 If the Engineer instructs the Contractor to carry out a test not specified in the Specification/ Quality Assurance Handbook to check whether any work has a Defect and the test shows that it does, the Contractor shall pay for the test and any samples. If there is no defect, the test shall be a compensation event.

When required by the Engineer-in-charge the contractor(s) shall supply for the purpose of testing samples of all materials proposed to be used in the works. Samples submitted either to govern bulk supplies or required for testing before use shall be in suitable packages to contain them and shall be provided free of charge by the contractor. The cost of testing shall be borne by the contractor even if the result of the sample confirm or do not confirm to the relevant BIS code specifications.

i. All expenditure required to be incurred for taking the samples conveyance, packing shall be borne by the contractor himself.

ii. The failed material shall be removed from the site by the contractor at his own cost within a week time of written order of the Engineer-in-charge.

29.3 Setting of Site Laboratories: (NA)

Contractors shall set up a laboratory at site before commencement of work at their cost for performing various tests and at least the following machines and equipments shall be provided therein –

1. Set of Sieves as per I.R.C. /I.S.
2. Compressive Testing Machine(For new works)
3. Oven, Electrically Operated
4. Weighing Balance (20 kg capacity)
5. 3 m straight edge
6. Sieve shaker
7. First Aid Box
8. Measuring Jar (for silt content)
9. Other Machines/apparatus as may be directed by the Engineer
10. Vernier Caliber
11. Level / Theodolite

All the test records shall be maintained in the site office and made available as and when required. The laboratory must be established within 15 days from the date of receipt of the orders from Engineer In charge. On failure to do so, a penalty of Rs 1000/- per day shall be imposed.

The contractor shall install testing equipment at site. The contractor shall ensure and certify the calibration of the equipment so installed and shall maintain the same in working order throughout the period of construction. The contractor shall also provide necessary technically qualified experienced trained staff for carrying out such tests for using such equipment. The tests shall be carried out under the supervision of the Engineer-in-charge. The calibration shall be checked every twelve months as directed by Engineer-in-charge.

30. Correction of Defects noticed during the Defects Liability Period.

30.1 (a) The Engineer shall give notice to the Contractor of any Defects before the end of the Defects Liability Period, which begins at Completion and ends after five years. The Defects Liability Period shall be extended for as long as Defects remain to be corrected.

(b) Every time notice of Defect/Defects is given, the Contractor shall correct the notified Defect/Defects within the duration of time specified by the Engineer's notice.

(c) The Engineer may issue notice to the Contractor to carry out removal of defects or deficiencies, if any, noticed in his inspection, or brought to his notice. The Contractor shall remove the defects and deficiencies within the period specified in the notice and submit to the Engineer a compliance report.

31. Uncorrected Defects and Deficiencies

31.1 If the Contractor has not corrected a Defect pertaining to the Defect Liability Period under clause and deficiencies in maintenance, to the satisfaction of the Engineer, within the time specified in the Engineer's notice, the Engineer will assess the cost of having the Defect or deficiency corrected, and the Contractor shall pay this amount, on correction of the Defect or deficiency by another agency.

D. Cost Control

32. Variations

The Engineer shall, having regard to the scope of the Works and the sanctioned estimated cost, have power to order, in writing, Variations within the scope of the Works he considers necessary or advisable during the progress of the Works. Such Variations shall form part of the Contract and the Contractor shall carry them out and include them in updated Programmes produced by the Contractor. Oral orders of the Engineer for Variations, unless followed by written confirmation, shall not be taken into account.

33. Payments for Variations

33.1 If rates for Variation items are specified in the Bill of Quantities, the Contractor shall carry out such work at the same rate.

33.2 The rate for Extra/Excess shall be governed by clause 10.A of Standard General Condition of Contract

34. Cash Flow Forecasts

When the Programme is updated, the Contractor shall provide the Engineer with an updated cash flow forecast.

35. Payment Certificates

The payment to the Contractor will be as follows for construction work:

(a) A bill shall be submitted by the Contractor monthly or before the date fixed by the Engineer In-charge for all works executed in the previous month, and the Engineer In-charge shall take or cause to be taken

requisite measurement for the purpose of having the same verified and the claim, so far as it is admissible, shall be adjusted, if possible, within 10 days from the presentation of the bill. If the contractor does not submit the bill within the time fixed as aforesaid, the Engineer In-charge may depute a subordinate to measure up the said work in the presence of the contractor or his duly authorized agent whose counter signature to the measurement list shall be sufficient warrant, and Engineer In-Charge may prepare a bill from such list which shall be binding on the contractor in all respects.

(b) The Engineer shall check the Contractor's fortnightly/monthly statement within 14 days and certify the amount to be paid to the Contractor.

(c) The value of work executed shall be determined, based on measurements by the Engineer.

(d) The value of work executed shall comprise the value of the quantities of the items in the Bill of Quantities completed.

(e) The value of work executed shall also include the valuation of Variations and Compensation Events.

(f) The Engineer may exclude any item certified in a previous certificate or reduce the proportion of any item previously certified in any certificate in the light of later information.

(g) The contractor shall submit all bills on the printed forms at the office of Engineer In-charge. The charges to be made in the bills shall always be entered at the rates specified in tender.

36. Payments

36.1 Payments shall be adjusted for deductions for advance payments, retention, security deposit, other recoveries in terms of the Contract and taxes at source, as applicable under the law. The Employer shall pay the Contractor the amounts certified by the Engineer within 15 days of the date of each certificate.

36.2 All sums payable by a contractor by way of compensation under any of these conditions, shall be considered as a reasonable compensation to be applied to the use of BMC without reference to the actual loss or damage sustained and whether any damage has or has not been sustained.

36.3 No payment shall be made for any work estimated to cost less than Rupees One Thousand till after the whole of work shall have been completed and the certificate of completion given. But in the case of works estimated to cost more than Rs. One Thousand, the contractor shall on submitting a monthly bill therefore be entitled to receive payment proportionate to the part of the work than approved and passed by the Engineer In-charge, whose certificate of such approval and passing of the sum so payable shall be final and conclusive against the contractor. All such intermediate payments shall be regarded as payments by way of advance against the final payments only and not as payments for work actual done and completed and shall not preclude the Engineer In-charge from requiring any bad, unsound, imperfect or unskillful work to be removed or taken away and reconstructed or re-erected nor shall any such payment be considered as an admission of the due performance of the contract or any part thereof in any respect or the offering of any claim not shall it conclude, determine or effect in any other way, the powers of the Engineer In-charge as to the final settlement and adjustment of the accounts or otherwise, or in any other way vary or effect the contract. The final bill shall be submitted by the Contractor within one month of the date fixed for the completion of the work otherwise the Engineer In-charge's certificate of the measurements and of the total amount payable for the work shall be final and binding on all parties.

37. The Contractor shall not be entitled to compensation to the extent that the Employer's interests are adversely affected by the Contractor for not having given early warning or not having cooperated with the Engineer.

38. Tax

G.S.T. and other state levies/cess which are not subsumed under GST will be applicable. The tenderer shall quote inclusive of all taxes applicable at the time of bid submission. It is clearly understood that BMC will not bear any additional liability towards payment of any Taxes & Duties.

Wherever the Service to be provided by the Tenderers, falls under Reverse Charge Mechanism, the Price quoted shall be exclusive of GST, but inclusive of Taxes/Duties/ Cess other than GST, if any.

Rates accepted by BMC shall hold good till completion of work and no additional individual claim shall be admissible on account of fluctuations in market rates; increase in taxes / any other levies/tolls etc. except that payment/recovery for overall market situation shall be made as per price variation and if there is any subsequent change (after submission of bid) in rate of GST applicable on the work / services to be executed as per tender, i.e. any increase will be reimbursed by BMC whereas any reduction in the rate of GST shall be passed on to BMC as per the provisions of the GST Act.

“As per CA/Finance/Project/City/17 dtd06.09.2017 “Chapter XXI-Miscellaneous section 171(1) of GST Act, 2017 governs the ‘Anti Profiting Measure’ (AMP). As per the provision of this section, ‘Any reduction in rate of tax on any supply of goods or services or the benefit of input tax credit shall be passed on to the recipient by way of commensurate reduction in process.’

Accordingly, the contractor should pass on the complete benefit accruing to him on account of reduced tax rate or additional input tax credit, to BMC.

Further, all the provisions of GST Act will be applicable to the Tender”

39. Currencies : All payments will be made in Indian Rupees.

40. Liquidated Damages

Both, the Contractor and the Employer have agreed that it is not feasible to precisely estimate the amount of losses due to delay in completion of works and the losses to the public and the economy, therefore, both the parties have agreed that the Contractor shall pay liquidated damages to the Employer and not by way of penalty, at the rate per week or part thereof stated in the Contract Data for the period that the Completion Date is later than the Intended Completion Date. Liquidated damages at the same rates shall be withheld if the Contractor fails to achieve the milestones prescribed in the Contract Data. However, in case the Contractor achieves the next milestone, the amount of the liquidated damages already withheld shall be restored to the Contractor by adjustment in the next payment certificate. The Employer and the contractor have agreed that this is a reasonable agreed amount of liquidated damage. The Employer may deduct liquidated damages from payments due to the Contractor. Payment of liquidated damages shall not affect the Contractor’s other liabilities.

41. Cost of Repairs

Loss or damage to the Works or Materials to be incorporated in the Works between the Start Date and the end of the Defects Correction periods shall be remedied by the Contractor at his cost if the loss or damage arises from the Contractor's acts or omissions.

E. Finishing the Contract

42. Completion of Construction and Maintenance

42.1 The Contractor shall request the Engineer to issue a certificate of completion of the construction of the works, and the Engineer will do so upon deciding that the works is completed. This shall be governed as per clause no.8(g) of Standard General Conditions of Contract.

43. Taking Over

43.1 The Employer shall take over the works within seven days of the Engineer issuing a certificate of completion of works. The Contractor shall continue to remain responsible for its routine maintenance during the maintenance period if specified in the contract.

44. Final Account

Final joint measurement along with the representatives of the contractor should be taken recorded and signed by the Contractors. Contractors should submit the final bill within 1 month of physical completion of the work. If the contractor fails to submit the final bill within 1 month, the BMC staff will prepare the final bill

based on the joint measurement within next 3 months. Engineer's decision shall be final in respect of claims for defect and pending claims against contractors.

No further claims should be made by the Contractor after submission of the final bill and these shall be deemed to have been waived and extinguished. Payment of those items of the bills in respect of which there is no dispute and of items in dispute, for quantities and rates as approved by the Commissioner shall be made within a reasonable period as may be necessary for the purpose of verification etc.

After payment of the final bill as aforesaid has been made, the contractor may, if he so desires, reconsider his position in respect of a disputed portion of the final bills and if he fails to do so within 84 days, his disputed claim shall be dealt with as provided in the contract. A percentage of the retention money, over and above the actual retention money as indicated below shall be held back from payments till the finalization of final bill to be submitted as per above and will be paid within 30 days of acceptance of the final bill.

| Sr.no. | Amount of Contract Cost | Minimum Payable Amount in final bill |
|--------|-------------------------|--|
| 1 | Upto Rs.5 Crs. | Rs.10 Lacs or final bill whichever is more |
| 2 | Upto Rs.25 Crs. | Rs.1 Crore or final bill amount whichever is more |
| 3 | Upto Rs. 50 Crs. | Rs.2 Crores or final bill amount whichever is more |

The contractor have to submit the bill for the work carried out within 15 days from the date of completion of the work to the respective executing department. If the contractor fails to submit their bills to concerned executing department, penalty or action as shown below will be taken for each delayed bill:-

| | |
|---|--|
| After 15 days from the date of completion/running bill upto certain date, upto next 15 days i.e. upto 30 days | Equal to 5% of bill amount |
| Next 15 days upto 45 days from the date of completion/running bill upto specified date | Equal to 10% of bill amount |
| If not submitted within 45 days from the date of completion/ R.A. bill | Bill will not be admitted for payment. |

45. Operating and Maintenance Manuals

45.1 If "as built" Drawings and/or operating and maintenance manuals are required, the Contractor shall supply them by the dates stated in the Contract Data.

45.2 If the Contractor does not supply the Drawings and/or manuals by the dates stated in the Contract Data, or they do not receive the Engineer's approval, the Engineer shall withhold the amount stated in the Contract Data from payments due to the Contractor.

46. Termination

46.1 The Employer or the Contractor may terminate the Contract if the other party causes a fundamental breach of the Contract.

46.2 Fundamental breaches of Contract shall include, but shall not be limited to, the following:

- a) the Contractor stops work for 30 days when no stoppage of work is shown on the current Programme and the stoppage has not been authorized by the Engineer;
- b) the Contractor is declared as bankrupt or goes into liquidation other than for approved reconstruction or amalgamation;
- c) the Engineer gives Notice that failure to correct a particular Defect is a fundamental breach of Contract and the Contractor fails to correct it within a reasonable period of time determined by the Engineer;

- d) the Contractor does not maintain a Security, which is required; e) the Contractor has delayed the completion of the Works by the number of days for which the maximum amount of liquidated damages can be paid, as defined in relevant clause.
- f) the Contractor fails to provide insurance cover as required under relevant clause .
- g) if the Contractor, in the judgment of the Employer, has engaged in the corrupt or fraudulent practices as defined in GCC in competing for or in executing the Contract.
- h) if the Contractor fails to set up a field laboratory with the prescribed equipment, within the period specified in the Contract Data; and
- i) any other fundamental breaches as specified in the Contract Data.
- j) if the Contractor fails to deploy machinery and equipment or personnel as specified in the Contract Data at the appropriate time.

46.3 When either party to the contract gives notice of a breach of contract to the Engineer for a cause other than those listed above, the Engineer shall decide whether the breach is fundamental or not.

.4 Notwithstanding the above, the Employer may terminate the Contract for convenience.

46.5 If the Contract is terminated, the Contractor shall stop work immediately, make the Site safe and secure, and leave the Site as soon as reasonably possible.

47. Payment upon Termination

47.1 If the Contract is terminated because of a fundamental breach of Contract by the Contractor, the Engineer shall issue a certificate for value of the work done and materials ordered less liquidated damages, if any, less advance payments received up to the date of the issue of the certificate and less the percentage to apply to the value of the work not completed, as indicated in the Contract Data. If the total amount due to the Employer exceeds any payment due to the Contractor, the difference shall be recovered from the security deposit, and performance security. If any amount is still left un-recovered it will be a debt due from the Contractor to the Employer

47.2 If the Contract is terminated at the Employer's convenience, the Engineer shall issue a certificate for the value of the work done, the reasonable cost of removal of Equipment, repatriation of the Contractor's personnel employed solely on the Works, and the Contractor's costs of protecting and securing the Works and less advance payments received up to the date of the certificate, less other recoveries due in terms of the Contract, and less taxes due to be deducted at source as per applicable law.

48. Property

48.1 All Materials on the Site, Plant, Equipment, Temporary Works, and Works shall be deemed to be the property of the Employer for use for completing balance construction work if the Contract is terminated because of the Contractor's default, till the Works is completed after which it will be transferred to the Contractor and credit, if any, given for its use.

49. Release from Performance

If the Contract is frustrated by the outbreak of war or by any other event entirely outside the control of the Employer or the Contractor, the Engineer shall certify that the Contract has been frustrated. The Contractor shall make the Site safe and stop work as quickly as possible after receiving this certificate and shall be paid for all work carried out before receiving it and for any work carried out afterwards to which a commitment was made.

A) Other Conditions of Contract

50. Labour

50.1 The Contractor shall, unless otherwise provided in the Contract, make his own arrangements for the engagement of all staff and labour, local or other, and for their payment, housing, feeding and transport.

50.2 The Contractor shall, if required by the Engineer, deliver to the Engineer a return in detail, in such form and at such intervals as the Engineer may prescribe, showing the staff and the number of the several classes of labour from time to time employed by the Contractor on the Site and such other information as the Engineer may require.

51. Compliance with Labour Regulations

(a) During continuance of the Contract, the Contractor and his sub-Contractors shall abide at all times by all existing labour enactments and rules made there under, regulations, notifications and bye laws of the State or Central Government or local authority and any other labour law (including rules), regulations, bye laws that may be passed or notification that may be issued under any labour law in future either by the State or the Central Government or the local authority.

(b) Furthermore, the Contractor shall keep the Employer indemnified in case any action is taken against the Employer by the competent authority on account of contravention of any of the provisions of any Act or rules made there under, regulations or notifications including amendments. If the Employer is caused to pay or reimburse, such amounts as may be necessary to cause or observe, or for non-observance of the provisions stipulated in the notifications/bye laws/Acts/Rules/regulations including amendments, if any, on the part of the Contractor, the Engineer/Employer shall have the right to deduct any money due to the Contractor including his amount of performance guarantee. The Employer/Engineer shall also have right to recover from the Contractor any sum required or estimated to be required for making good the loss or damage suffered by the Employer.

(c) The Contractor shall require his employees to obey all applicable laws, including those concerning safety at work.

(d) The employees of the Contractor and the Sub-Contractor in no case shall be treated as the employees of the Employer at any point of time.

52. Drawings and Photographs of the Works

52.1 The Contractor shall do photography/video photography of the site firstly before the start of the work, secondly mid-way in the execution of different stages of work as required by Engineer In-charge and lastly after the completion of the work. No separate payment will be made to the Contractor for this.

52.2 The Contractor shall not disclose details of Drawings furnished to him and works on which he is engaged without the prior approval of the Engineer in writing. No photograph of the works or any part thereof or plant employed thereon, except those permitted under above clause, shall be taken or permitted by the Contractor to be taken by any of his employees or any employees of his sub-Contractors without the prior approval of the Engineer in writing. No photographs/ Video photography shall be published or otherwise circulated without the approval of the Engineer in writing.

53. The Apprentices Act, 1961

The Contractor shall duly comply with the provisions of the Apprentices Act 1961 (III of 1961), the rules made there under and the orders that may be issued from time to time under the said Act and the said Rules and on his failure or neglect to do so, he shall be subject to all liabilities and penalties provided by the said Act and said Rules.

54 Contract Document

The documents forming the contract are to be taken as mutually explanatory of one another. Unless otherwise provided in the contract, the priority of the documents forming the contract shall be, as follows:

- 1) Contract Agreement (if completed)
- 2) The letter of Acceptance
- 3) The Bid:
- 4) Addendum to Bid; if any
- 5) Tender Document
- 6) The Bill of Quantities:
- 7) The Specification:
- 8) Detailed Engineering Drawings
- 9) Standard General Conditions of Contracts (GCC)
- 10) All correspondence documents between bidder/contractor and BMC.

55 Conflict of Interest

The Applicant shall not have a conflict of interest (the "Conflict of Interest") that affects the Bidding Process. Any Applicant found to have a Conflict of Interest shall be disqualified. An Applicant shall be deemed to have a Conflict of Interest affecting the Bidding Process, if

1. A constituent of such Applicant is also a constituent of another Applicant; or

2. Such Applicant has the same legal representative for purposes of this Application as any other Applicant; or

3. Such Applicant, or any Associate thereof has a relationship with another Applicant, or any Associate thereof, directly or through common third party/ parties, that puts either or both of them in a position to have access to each other's information about, or to influence the Application of either or each other; or

4. The Applicant shall be liable for disqualification if any legal, financial or technical adviser of the Authority in relation to the Project is engaged by the Applicant, its Member or any Associate thereof, as the case may be, in any manner for matters related to or incidental to the Project. For the avoidance of doubt, this disqualification shall not apply where such adviser was engaged by the Applicant, its Member or Associate in the past but its assignment expired or was terminated 6 (six) months prior to the date of issue of this TENDER. Nor will this disqualification apply where such adviser is engaged after a period of 3(three) years from the date of commercial operation of the Project.

56. Applications and costs thereof

No Applicant shall submit more than one Application for the Project. An applicant applying individually shall not be entitled to submit another application either individually. The Applicant shall be responsible for all of the costs associated with the preparation of their Applications and their participation in the Bid Process. The Authority will not be responsible or in any way liable for such costs, regardless of the conduct or outcome of the Bidding Process.

57. Acknowledgment by Applicant

It shall be deemed that by submitting the Application, the Applicant has:

- a. made a complete and careful examination of the tender;
- b. received all relevant information requested from the Authority;
- c. accepted the risk of inadequacy, error or mistake in the information provided in the tender or furnished by or on behalf of the Authority relating to any of the matters referred; and
- d. Agreed to be bound by the undertakings provided by it under and in terms hereof.

“The Authority” shall not be liable for any omission, mistake or error in respect of any of the above or on account of any matter or thing arising out of or concerning or relating to the TENDER or the Bidding Process, including any error or mistake therein or in any information or data given by the Authority.

58. Right to accept or reject any or all Applications/ Bids

Notwithstanding anything contained in this TENDER, “The Authority” reserves the right to accept or reject any Application and to annul the Bidding Process and reject all Applications/ Bids, at any time without any liability or any obligation for such acceptance, rejection or annulment, and without assigning any reasons therefore. In the event that the Authority rejects or annuls all the Bids, it may, in its discretion, invite all eligible Bidders to submit fresh Bids hereunder.

“The Authority” reserves the right to reject any Application and/ or Bid if:

- (a) at any time, a material misrepresentation is made or uncovered, or
- (b) the Applicant does not provide, within the time specified by the Authority, the supplemental information sought by the Authority for evaluation of the Application.

In case it is found during the evaluation or at any time before signing of the Agreement or after its execution and during the period of subsistence thereof including the concession thereby granted by “The Authority”, that one or more of the pre-qualification conditions have not been met by the Applicant, or the Applicant has made material misrepresentation or has given any materially incorrect or false information,

the Applicant shall be disqualified forthwith if not yet appointed as the Successful Bidder either by issue of the LOA (Letter of Approval) or entering into of the Agreement, and if the Applicant has already been issued the LOA or has entered into the Concession Agreement, as the case may be, the same shall, notwithstanding anything to the contrary contained therein or in this TENDER, be liable to be terminated, by a communication in writing by “The Authority” to the Applicant, without the Authority being liable in any manner whatsoever to the Applicant and without prejudice to any other right or remedy which the Authority may have under this TENDER, the Bidding Documents, the Concession Agreement or under applicable law.

“The Authority” reserves the right to verify all statements, information and documents submitted by the Applicant in response to the TENDER. Any such verification or lack of such verification by the Authority shall not relieve the Applicant of its obligations or liabilities hereunder nor will it affect any rights of the Authority there under.

59 The bid shall be rejected if the bidder-

- a. Stipulates the validity period less than 180 days.
- b. Stipulates own condition/conditions.
- c. Does not fill and (digital) sign undertaking forms, which are incorporated, in the document.

60 Clarifications

Applicants requiring any clarification on the tender may notify "the Authority" in writing or by fax or e-mail. They should send in their queries before the date specified in the header data. "The Authority" shall Endeavor to respond to the queries within the period specified therein. The responses will be sent by fax and/or e-mail. The Authority will forward all the queries and its responses thereto, to all purchasers of the TENDER without identifying the source of queries.

"The Authority" shall Endeavor to respond to the questions raised or clarifications sought by the Applicants. However, the Authority reserves the right not to respond to any question or provide any clarification, in its sole discretion, and nothing in this Clause shall be taken or read as compelling or requiring the Authority to respond to any question or to provide any clarification, but not later than the date provided in header data.

"The Authority" may also on its own motion, if deemed necessary, issue interpretations and clarifications to all Applicants. All clarifications and interpretations issued by the Authority shall be deemed to be part of the tender. Verbal clarifications and information given by Authority or its employees or representatives shall not in any way or manner be binding on the Authority.

61 Amendment of tender

At any time prior to the deadline for submission of Application, the Authority may, for any reason, whether at its own initiative or in response to clarifications requested by an Applicant, modify the tender by the issuance of Addendum.

Any Addendum thus issued will be sent in writing/ Fax/ Email to all those who have purchased the tender.

In order to afford the Applicants a reasonable time for taking an Addendum into account, or for any other reason, the Authority may, in its sole discretion, extend the Application Due Date.

Preparation and Submission of Application

62 Language

The Application and all related correspondence and documents in relation to the Bidding Process shall be in English language. Supporting documents and printed literature furnished by the Applicant with the Application may be in any other language provided that they are accompanied by translations of all the pertinent passages in the English language, duly authenticated and certified by the Applicant. Supporting materials, which are not translated into English, may not be considered. For the purpose of interpretation and evaluation of the Application, the English language translation shall prevail.

63 Format and signing of Application

The Applicant shall provide all the information sought under this TENDER. The Authority will evaluate only those Applications that are received in the required formats and complete in all respects. Incomplete and /or conditional Applications shall be liable to rejection.

The Applicant will upload bid in One Folder in electronic form which shall contain the scanned certified copies of the documents given below and the documents uploaded has to be digitally signed by the bidder. These copies shall be certified by Practicing Notary approved by the Govt. of Maharashtra or Govt. of India with his stamp, clearly stating his name & registration number, except where original documents are demanded

64 Marking of Applications

The Applicant shall submit the Application in the format specified at Appendix-I, together with the documents, upload in folder as "VENDOR" together with their respective enclosures

Applications submitted by fax, telex, telegram shall not be entertained and shall be rejected outright.

65 Late Applications

Applications received by the Authority after the specified time on the Application Due Date shall not be eligible for consideration and shall be summarily rejected.

66 Confidentiality

Information relating to the examination, clarification, evaluation, and recommendation for the short-listed qualified Applicants shall not be disclosed to any person who is not officially concerned with the process or is not a retained professional advisor advising the Authority in relation to or matters arising out of, or concerning the Bidding Process. The Authority will treat all information, submitted as part of Application, in confidence and will require all those who have access to such material to treat the same in confidence. The Authority may not divulge any such information unless it is directed to do so by any statutory entity that has the power under law to require its disclosure or is to enforce or assert any right or privilege of the statutory entity and/ or the Authority or as may be required by law or in connection with any legal process.

67 Clarification Of Financial Bids

To assist in the examination, evaluation and comparison of Bids, the Engineer may, at his discretion, ask any bidder for clarification of his Bid, including breakdown of unit rates. The request for clarification and the response shall be in writing or by post/facsimile/e-mail. No Bidder shall contact the Engineer on any matter relating to his bid from the time of the bid opening to the time the contract is awarded. Any effort by the Bidder to influence the Engineer in the Engineer's bid evaluation, bid comparison or contract award decisions may result in the rejection of the Bidder's bid.

68 Inspection of site and sufficiency of tender:

1. The Contractor shall inspect and examine the site and its surrounding and shall satisfy himself before submitting his tender as to the nature of the ground and subsoil (so far as is practicable), the form and nature of the site, the quantities and nature of the work and materials necessary for the completion of the works and means of access to the site, the accommodation he may require and in general shall himself obtain all necessary information as to risk, contingencies and other circumstances which may influence or affect his tender. He shall also take into consideration the hydrological and climatic conditions.

2. The Employer may make available to the Contractor data on hydrological and sub-surface conditions as obtained by or on his behalf from investigations relevant to the works but the Contractor shall be responsible for his own interpretation thereof. The contractor shall engage his investigating agency with prior approval of the Engineer from the approved list of such agencies by BMC or Govt at his cost initially before commencing actual work and which shall be reimbursed immediately subject to satisfaction of the Engineer for faithful compliance and submission of required data regarding such investigation within specified time.

3. The Contractor shall be deemed to have satisfied himself before tendering as to the correctness and sufficiency of his tender for the works and of the rates and prices quoted in the schedule of works / items / quantities, or in Bill of Quantities, which rates and prices shall, except as otherwise provided cover all his obligations under the Contract and all matters and things necessary for proper completion and maintenance of the works. No extra charges consequent on any misunderstanding.

4. **Not Foreseeable Physical Obstructions or Conditions:** If, however, during the execution of the Works the Contractor encounters physical obstructions or physical conditions, other than climatic conditions on the Site, which obstructions or conditions were, in his opinion, not foreseeable by an experienced

contractor, the Contractor shall forthwith give notice thereof to the Engineer. On receipt of such notice, the Engineer shall, if in his opinion such obstructions or conditions could not have been reasonably foreseen by an experienced contractor, after due consultation with the Contractor, determine:

- any extension of time to which the Contractor is entitled and
- The amount of any costs which may have been incurred by the Contractor by reason of such obstructions or conditions having been encountered, which shall be added to the Contract Price.

and shall notify the Contractor accordingly. Such determination shall take account of any instruction which the Engineer may issue to the Contractor in connection therewith, and any proper and reasonable measures acceptable to the Engineer which the Contractor may take in the absence of specific instructions from the Engineer. However such costings shall be got approved by the competent authority as governed vide rules prevailing with authority.

5. Office for the Engineer (Works costing upto Rs.50 Lakhs)

The Contractor shall at his own cost and to satisfaction of the Engineer provide a small temporary office, at the work-site which will include tables, chairs and lockers for keeping the records. He shall also make necessary arrangements for drinking water. These offices are not to be allowed on public roads without the written instruction of the Engineer. These offices should be preferably located within 50 to 500 m of the worksite. In case the office is more than 500m away from the worksite, the contractor is to provide conveyance for Municipal Staff.

6.1 Office for the Engineer (Works costing above Rs.50 lakhs)

The Contractor shall at his own cost and to satisfaction of the Engineer provide a temporary office at the work-site which will include tables, chairs and lockers for keeping the records. He shall also make necessary arrangements for drinking water, latrines, with doors, windows, locks, bolts and fastenings sufficient for security for the Engineer, and his subordinates, as close to the works from time to time in progress as can be conveniently arranged, and shall at his own cost furnish the office with such chairs, tables, lockers, locks and fastenings as may be required by the Engineer, and no expense of any kind in connection with the erection or upkeep of the offices or fittings shall be borne by the Corporation, but all such work shall be carried out by the Contractor and the expenses thereof defrayed by him. The Contractor shall also make water connections and fit up stand pipe with a bib tap at office. The latrines and the water connections shall be subject to all the conditions herein elsewhere laid down for temporary water connection and latrines generally with all requisite equipments for e-governance and electronic and digital communication. These offices are not to be allowed on public roads without the written instruction of the Engineer.

❖ 6.2 Vehicle :

The Contractor shall provide one vehicle (four wheel Car) in good condition with sufficient fuel & driver to be kept available at all times for the sole use of the Site staff for inspection & supervision.

The Contractor shall be solely responsible for running & upkeep of vehicle including taxes, insurance, Licenses, Fuel, Oils, Lubricants, Repairs & Maintenance & shall also provide competent driver with the vehicle at all times. No separate payment shall be made for providing the above. If vehicle (with driver) is not provided a penalty of Rs. 1000/- per day will be imposed.

7. Permission for provision and removal of office on completion of work: The tenderer shall obtain permission for provision of site office, store, etc. on payment of necessary cost implication. The watchman cabins shall be provided as directed and shall be removed by the Tenderers on completion of the work at their cost. It is binding on the Tenderer to fulfill requirements of Environmental Authorities. The

location of such office shall be finalized and got approved from the Engineer before erection/commencement work.

8. **Contractor's office near works:** The Contractor shall have an office near the works at which notice from the Commissioner or the Engineer may be served and shall, between the hours of sunrise and sunset on all working days, have a clerk or some other authorized person always present at such office upon whom such notices may be served and service of any notices left with such clerk or other authorized person or at such office shall be deemed good service upon the Contractor and such offices shall have pre-requisite facilities for e-governance.

69 Official Secrecy:

The Contractor shall of all the persons employed in any works in connection with the contract that the India Official Secrets Act 1923 (XIX of 1923) applies to them and will continue to apply even after execution of the said works and they will not disclose any information regarding this contract to any third party. The contractor shall also bring into notice that, any information found to be leaked out or disclosed the concern person as well as the Contractor will be liable for penal action; further the Corporation will be at liberty to terminate the contract without notice.

70 Subsequent Legislation:

If on the day of submission of bids for the contract, there occur changes to any National or State stature, Ordinance, decree or other law or any regulation or By-laws or any local or other duly constituted authority or the introduction of any such National or State Statute, Ordinance, decree or by which causes additional or reduced cost to the Contractor, such additional or reduced cost shall, after due consultation with the Contractor, be determined by the concerned Engineering Department of BMC and shall be added to or deducted from the Contract Price with prior approval of competent authority and the concerned Engineering Department shall notify the Contractor accordingly with a copy to the Employer. BMC reserve the right to take decision in respect of addition/reduction of cost in contract.

71 Patent, Right and Royalties:

The contractor shall save harmless and indemnify the Corporation from and against all claims and proceedings for or on account of infringement of any Patent rights, design trademark or name of other protected rights in respect of any constructional plant, machine work, or material used for or in connection with the Works or any of them and from and against all claims, proceedings, damages, costs, charges and expenses whatsoever in respect thereof or in relation thereto. Except where otherwise specified, the contractor shall pay all tonnage and other royalties, rent and other payments or compensation, if any, for getting stone, sand, gravel, clay or other materials required for the works or any of them.

72 Payments, Tax and Claims:

· **The limit for unforeseen claims** Under no circumstances whatever the contractor shall be entitled to any compensation from BMC on any account unless the contractor shall have submitted a claim in writing to the Eng-in-charge within 1 month of the case of such claim occurring.

· **No interest for delayed payments due to disputes, etc:**

It is agreed that the Brihanmumbai Municipal Corporation or its Engineer or Officer shall not be liable to pay any interest or damage with respect of any moneys or balance which may be in its or its Engineer's or officer's hands owing to any dispute or difference or claim or misunderstanding between the Brihanmumbai Municipal Corporation or its Engineer or Officer on the one hand and the contractor on the other, or with

respect to any delay on the part of the Brihanmumbai Municipal Corporation or its Engineer or Officers in making periodical or final payments or in any other respect whatever.

73 Settlement of Disputes:

Termination of contract for death

If the Contractor is an individual or a proprietary concern and the individual or the proprietor dies and if the Contractor is a partnership concern and one of the legal representative of the individual Contractor or the proprietor of the proprietary concern and in case of partnership, the surviving partners, are capable of carrying out and completing the contract, the Commissioner shall be entitled to cancel the contract as to its uncompleted part without the Corporation being in any way liable to payment of any compensation to the estate of the deceased Contractor and or to the surviving partners of the Contractor's firm on account of the cancellation of the contract. The decision of the Commissioner that the legal representative of the deceased Contractor or surviving partners of the Contractor's firm cannot carry out and complete the contract shall be final and binding on the parties. In the event of such cancellation the Commissioner shall not hold estate of the deceased Contractor and or surviving partners of the Contractor's firm liable in damages for not completing the contract.

Settlement of Disputes:

If any dispute or differences of any kind whatsoever other than those in respect of which, the decision of any person is, by the Contract, expressed to be final and binding) shall arise between the Employer and the Contractor or the Engineer and the Contractor in connection with or arising out of the Contract or carrying out of the Works (Whether during the progress of the Works or after their completion and whether before or after the termination, abandonment or breach of the Contract) it, the aggrieved party may refer such dispute within a period of 7 days to the concerned Addl. Municipal Commissioner who shall constitute a committee comprising of three officers i.e. concerned Deputy Municipal Commissioner or Director (ES&P), Chief Engineer other than the Engineer of the Contract and concerned Chief Accountant. The Committee shall give decision in writing within 60 days. Appeal on the Order of the Committee may be referred to the Municipal Commissioner within 7 days. Thereafter the Municipal Commissioner shall constitute a Committee comprising of three Addl. Municipal Commissioners including Addl. Municipal Commissioner in charge of Finance Department. The Municipal Commissioner within a period of 90 days after being requested to do so shall give written notice of committee's decision to the Contractor. Save as herein provided such decision in respect of every matter so referred shall be final and binding upon both parties until the completion of the works, and shall forthwith be given effect to by the Contractor who shall proceed with the works with due diligence, whether he requires arbitration as hereinafter provided or not. If the Commissioner has given written notice of the decision to the Contractor and no Claim to arbitration has been communicated within a period of 90 days from receipt of such notice the said decision shall remain final and binding upon the Contractor.

74 Arbitration and Jurisdiction:

If the Commissioner shall fail to give notice of the decision as aforesaid within a period of 90 days after being requested as aforesaid, or if the Contractor be dissatisfied with any such decision, then and in any such case the Contractor may within 90 days after receiving notice of such decision or within 90 days after the expirations of the first named period of 90 days (as the case may be) require that the matter or matters in dispute be referred to arbitration as hereinafter provided. All disputes or differences in respect of which the decision (if any) of the Commissioner has not become final and binding as aforesaid shall be finally settled by

Arbitration as follows:

Arbitration shall be effected by a single arbitrator agreed upon the parties. The arbitration shall be conducted in accordance with the provisions of the Arbitration Act, 1996 or any statutory modifications thereof, and shall be held at such place and time within the limits of Brihan Mumbai as the arbitrator may determine. The decision of the arbitrator shall be final and binding upon the parties hereto and the expense of the arbitration shall be paid as may be determined by the arbitrator. Performance under the Contract shall, if reasonably be possible, continued during the arbitration proceedings and payment due to the Contractor by the Employer shall not be withheld unless they are the subject matter of arbitration proceedings. The said arbitrator shall have full power to open up, review and revise any decision, opinion, direction, certification or valuation of the Commissioner and neither party shall be limited in the proceedings before such arbitrator to the evidence or arguments put before the Commissioner for the purpose of obtaining his said decision. No decision given by the Commissioner in accordance with the foregoing provisions shall disqualify him from being called as a witness and giving evidence before the arbitrator on any matters whatsoever relevant to the disputes or difference referred to the arbitrator as aforesaid. All awards shall be in writing and for claims equivalent to 5,00,000 or more such awards shall state reasons for amounts awarded. The expenditure of arbitration shall be paid as may be determined by arbitrator.

In case of any claim, dispute or difference arising in respect of a contract, the cause of action thereof shall be deemed to have arisen in Mumbai and all legal proceedings in respect of any claim, dispute or difference shall be instituted in a competent court in the City of Mumbai only.

75 Copyright:

The copyright of all drawings and other documents provided by the Contractor under the contract shall remain vested in the Contractor or his sub-contractors as the case may be the employer shall have a license to use such drawings and other documents in connection with the design, construction, operation, maintenance of the works. At any time the Employer shall have further license without additional payment to the Contractor to use any such drawings or documents for the purpose of making any improvement of the works or enlargement or duplication of any part thereof, provided that such improvement, enlargement, or duplication by itself or in conjunction with any other improvements, enlargements or duplications already made in accordance with the further license does not result in the duplication of the whole works.

76. Receipts to be signed in firm's name by any one of the partners:

Every receipt for money which may become payable or for any security which may become transferable to the Contractor under these present shall, if signed in the partnership name by any one of the partners, be a good and sufficient discharge to the Commissioner and Municipal Corporation in respect of the money or security purporting to be acknowledged thereby, and in the event of death of any of the partners during the pendency of this contract, it is hereby expressly agreed that every receipt by any one of the surviving partners shall, if so signed as aforesaid, be good and sufficient discharge as aforesaid provided that nothing in this clause contained shall be deemed to prejudice or effect any claim which the Commissioner or the Corporation may hereafter have against the legal representatives of any partners so dying or in respect of any breach of any of the conditions thereof, provided also that nothing in this clause contained shall be deemed prejudicial or affect the respective rights or obligations of the Contractors and of the legal representatives of any deceased Contractors interest.

77 Proprietary data

All documents and other information supplied by the Authority or submitted by an Applicant to the Authority shall remain or become the property of the Authority. Applicants are to treat all information as strictly confidential and shall not use it for any purpose other than for preparation and submission of their Application. The Authority will not return any Application or any information provided along therewith.

78 Correspondence with the Applicant

Save and except as provided in this TENDER, the Authority shall not entertain any correspondence with any Applicant in relation to the acceptance or rejection of any Application.

79 Price Variation Clause (N.A.)

The Contractor shall be reimbursed or shall refund to the Corporation as he case may be the variation in the value of the work carried out from time to time, depending on whether the prices of material and labour as a whole rise or fall, and the method adopted for such computations shall be as given below, it being clearly understood that the contractor shall have no claim for being reimbursed on the ground that the price of a particular material or group of materials have risen beyond the limits of the presumptions made in the following paras, however, no price variations shall be made applicable for contracts upto 12 months:

A) Controlled materials: Price variations shall be permitted in respect of these materials the price level of which is controlled by the Government or its agency. The rate ruling on the date of submission of the tender shall be considered as the basic price of such material for adjustment. Any variation in this rate shall be considered for reimbursement to the contractor or refund to be claimed from the contractor as the case may be. The contractor shall, for the purpose of adjustment submit in original the relevant documents from the suppliers.

B) Labour and other materials: For the purpose of this contract and for allowing reimbursement of refund on account of variation of prices of (i) labour, and (ii) materials other than materials mentioned in A above, computation will be based on the formula enunciated below which is based on the presumptions that :

i) The general price level of labour, rises or falls in proportion to the rise or fall of consumer price index number 9 (general) for working class in Mumbai.

ii) The general price level of materials rises or falls in proportion to rise or fall of whole-sale price index as published by 'Economic Adviser to Govt. of India'.

iii) And that the component of labour is to the extent of 30 percent of 88 percent and the component of materials is to the extent of 70 percent of 88 percent of the value of the work carried out. The remaining 12 percent being the presumptive profit of the contractor. a) Formula for Labour component:

$$VL = (0.88 R) \times 30 \times (I - IO) \\ 100 IO$$

b) Formula for Material component :

$$VM = (0.88 R \times 70 - C) \times (W - WO) \\ 100 WO$$

Where –

VL = Amount of price variation to be reimbursed or claimed as refund on account of general rise or fall of index referred to above.

I = Consumer Price Index number of working class for Mumbai (declared by the Commissioner of Labour and Director of Employment, Mumbai) applicable to the period under reference (base year ending 2004-05 as 100 i.e. new series of indices).

IO = Consumer price index number for working class for Mumbai (declared by the Commissioner of labour and Director of Employment, Mumbai) prevailing, on the day of 28 days prior to the date of submission of the tender.

VM = The amount of price variation to be reimbursed or claimed as refund on account of general rise or fall of wholesale price index for period under reference.

W = Average wholesale price index as published by Economic Adviser to Govt. of India applicable to the period under reference.

WO = Wholesale price index as stated above prevailing on the day of 28 days prior to the date of submission of the tender.

R = Total value of the work done during the period under reference as recorded in the Measurement Book excluding water charges and sewerage charges but including cost of excess in respect of item upto 50 percent

C = Total value of Controlled materials used for the works as recorded in Measurement Book and paid for at original basic rate plus the value of materials used .

i) The quantity of the Controlled material adopted in working out the value of 'C' shall be inclusive of permitted wastages as / if mentioned in specifications.

ii) The basic rate for the supply of controlled material shall be inclusive of all the components of cost of materials excluding transport charges incurred for bringing the material from place of delivery to the site.

Computations based on the above formula will be made for the period of each bill separately and reimbursement will be made to (when the result is plus) and refund will claimed from (when the result is minus) the contractor's next bill. The above formulae will be replaced by the formulae in Annexure-I as and when mentioned in special conditions of contract

The operative period of the contract for application of price variation shall mean the period commencing from the date of commencement of work mentioned in the work order and ending on the date when time allowed for the work order and ending on the date when time allowed for the work specified in the contract for work expires, taking into consideration, the extension of time, if any, for completion of the work granted by Engineer under the relevant clause of the conditions of contract in cases other than those where such extension is necessitated on account of default of the contractor.

The decision of the Engineer as regards the operative period of the contract shall be final and binding on the contractors.

iii) Where there is no supply of controlled items to contractor the component 'C' shall be taken as zero.

C) Adjustment after completion: If the Contractor fails to complete the works within the time for completion adjustment of prices thereafter until the date of completion of the works shall be made using either the indices or prices relating to the prescribed time for completion, or the current indices or prices whichever is more favorable to the employer, provided that if an extension of time is granted, the above provision shall apply only to adjustments made after the expiry of such extension of time.

D) Price variation will be calculated similarly and separately for extra items and / or excess quantities and provisional sums calculated under Sub Clause 10 (b)A (i)&(ii) and Sub Clause 10 (b) B(ii) based on the above formula/formulae in Annexure-I as and when mentioned in Special conditions of contract; IO and WO

being the indices applicable to the date on which the rates under Sub Clause 10 (a)A (i)&(ii) and Sub Clause 10 (a) B(iii) are fixed. No price variation shall be admissible for FAIR items created during execution.

80. Maximum Price Variation shall be as follows:

| Time Period of Project | Maximum limit of Price Variation |
|------------------------------|----------------------------------|
| Up to 12 months | No variation allowed |
| Above 12 months to 24 months | 5% |
| Above 24 months | 10% |

***Approval of AMC/MC shall be obtained before invitation of tender in case of any changes in above.**

Note: 1) The extension in time period for the projects originally estimated including monsoon results in change of price variation slabs as mentioned above i.e. from first slab to second slab or from second slab to third slab, then the maximum limit of original slab will prevail.

2) Operative period shall mean original or extended time period of contract.

For example:

| Extension of Time period | Maximum Price Variation |
|---|--------------------------------|
| If original period of 11 months including monsoon extends to 16. The operative period will be 11+5 months. | No variation allowed |

Price Variation during Extended Period of Contract:

(i) Extension Due To Modification & Extension for delay due to BMC :

The price variation for the period of extension granted shall be limited to the amount payable as per the Indices. In case the indices increases or decreases, above/below the indices applicable, to the last month of the original or extended period vide clause 8 (l)(a)(i) and (ii) of standard GCC

(ii) Extension Of Time For Delay Due To Contractor:

(a) The price variation for the period of extension granted shall be limited to the amount payable as per the Indices in case the indices increase, above the indices applicable, to the last month of the original completion period or the extended period vide above clause 8(l)(a)(i) and (ii) of standard GCC.

(b) The price variation shall be limited to the amount payable as per the indices, in case the indices decrease or fall below the indices applicable, to the last month of original / extended period of completion period vide above clause 8(l)(b) of standard GCC, then lower indices shall be adopted.

(iii) Extension of Time For Delay due to reasons not attributable to BMC and Contractor (Reference Cl.8(d) of Standard GCC):

The price variation for the period of extension granted shall be limited to the amount payable as per the Indices in case the indices increases or decreases, above/below the indices applicable, to the last month of the original period.

81. Payment:

Interim Payment:

i) Interim bills shall be submitted by the Contractor from time to time (but at an interval of not less than one month) for the works executed. The Engineer shall arrange to have the bills

ii) verified by taking or causing to be taken, where necessary, the requisite measurement of work.

iii) Payment on account for amount admissible shall be made on the Engineer certifying the sum to which the Contractor is considered entitled by way of interim payment for all the work executed, after deducting there from the amount already paid, the security deposit / retention money and such other amounts as may be deductible or recoverable in terms of the contract.

iii) On request, the contractor will be paid upto 75 percent of the value of the work carried out as an adhoc payment in the first week of next month after deducting there from recoveries on account of advances, interest, retention money, income tax etc. The balance payment due will be paid thereafter.

iv) No interim payment will be admitted until such time the Contractor have fully complied with the requirement of the Condition no.8 (g) and 8 (h) concerning submission and approval of Network Schedule for the works, as detailed in Condition 8 (h). A fixed sum shall be held in abeyance at the time of next interim

payment for non-attainment of each milestone in the network and shall be released only on attainment of the said milestone.

v) An interim certificate given relating to work done or material delivered may be modified or corrected by a subsequent interim certificate or by the final certificate. No certificate of the Engineer supporting an interim payment shall of itself be conclusive evidence that any work or materials to which it relates is / are in accordance with the contract.

82 Banning/De-Registration of Agencies of Construction works in BMC

The regulations regarding Demotion/ Suspension Banning for specific period or permanently / De-Registration shall be governed as per the respective condition in Contractor Registration Rules of BMC.

83. JOINT VENTURE

In case if Joint Venture is allowed for the Project, the guidelines for JV as follows shall be incorporated in the Tender Document:

a) Joint Venture should be allowed only when the number of identifiable different works is more than one and/or the estimated cost of tender is more than Rs.100 Crores. JV shall also be allowed for complex technical work below Rs.100 Crores with the approval of con-cerned AMC

b) Separate identity/name shall be given to the Joint Venture firm.

c) Number of members in a JV firm shall not be more than three in normal circumstances, if the work involves only one discipline (say Civil or Electrical). If number of members in JV is required to be more than three, then approval of concerned AMC needs to be sought.

d) A member of JV firm shall not be permitted to participate either in individual capacity or as a member of another JV firm in the same tender.

e) The tender form shall be purchased and submitted in the 'name of the JV firm or any con-stituent member of the JV.

f) Normally EMD shall be submitted only in the name of the JV and not in the name of con-stituent member. However, EMD in the name of lead partner can be accepted subject to submission of specific request letter from lead partner stating the reasons for not submitting the EMD in the name of JV and giving written confirmation from the JV partners to the ef-fect that the EMD submitted by the lead partner may be deemed as EMD submitted by JV firm.

g) One of the members of the JV firm shall be the lead member of the JV firm who shall have a majority (at least 51%) share of interest in the JV firm. The other members shall have a share of not less than 20% each in case of JV firms with up to three members and not less than 10% each in case of JV firms with more than three members. In case of JV firm with foreign member(s), the lead member has to be an Indian firm with a minimum share of 51%.

h) A copy of Letter of Intent or Memorandum of Understanding (MoU) executed by the JV members shall be submitted by the JV firm along with the tender. The complete details of the members of the JV firm, their share and responsibility in the JV firm etc. particularly with reference to financial technical and other obligation shall be furnished in the agree-ment.

i) Once the tender is submitted, the agreement shall not be modified/altered/terminated during the validity of the tender. In case the tenderer fails to observe/comply with this stipulation, the full Earnest Money

Deposit (EMD) shall be forfeited. In case of successful tenderer, the validity of this agreement shall be extended till the currency of the contract expires.

j) Approval for change of constitution of JV firm shall be at the sole discretion of the BMC. The constitution of the JV firm shall not be allowed to be modified after submission of the tender bid by the JV firm except when modification becomes inevitable due to succession laws etc. and in any case the minimum eligibility criteria should not get vitiated. In any case the Lead Member should continue to be the Lead Member of the JV firm. Failure to observe this requirement would render the offer invalid.

k) Similarly, after the contract is awarded, the constitution of JV firm shall not be allowed to be altered during the currency of contract except when modification become inevitable due to succession laws etc. and in any case the minimum eligibility criteria should not get viti-ated. Failure to observe this stipulation shall be deemed to be breach of contract with all consequential penal action as per contract condition.

l) On award of contract to a JV firm, a single Performance Guarantee shall be required to be submitted by the JV firm as per tender conditions. All the Guarantees like Performance Guarantee, Bank Guarantee for Mobilization advance, machinery Advance etc. shall be ac-cepted only in the name of the JV firm and no splitting of guarantees amongst the members of the JV firm shall be permitted.

m) On issue of LOA, an agreement among the members of the JV firm (to whom the work has been awarded) has to be executed and got registered before the Registrar of the Companies under Companies Act or before the Registrar / Sub-Registrar under the Registration Act, 1908. This agreement shall be submitted by the JV firm to the BMC before signing the contract agreement for the work. (This agreement format should invariably be part of the tender condition). In case the tenderer fails to observe/comply with this stipulation, the full

Earnest Money Deposit (EMD) shall be forfeited and other penal actions due shall be taken against partners of the JV and the JV. This joint venture agreement shall have, inter-alia, following clauses:-

i. Joint and several liability - The members of the JV firm to which the contract is award-ed, shall be jointly and severally liable to the Employer (BMC) for execution of the pro-ject in accordance with General and Special conditions of the contract. The JV members shall also be liable jointly and severally for the loss, damages caused to the BMC during the course of execution of the contract or due to no execution of the contract or part there-of.

ii. Duration of the Joint Venture Agreement -It shall be valid during the entire period of the contract including the period of extension if any and the maintenance period after the work is completed.

iii. Governing Laws - The Joint Venture Agreement shall in all respect be governed by and interpreted in accordance with Indian Laws.

iv. Authorized Member -Joint Venture members shall authorize one of the members on be-half of the Joint Venture firm to deal with the tender, sign the agreement or enter into con-tract in respect of the said tender, to receive payment, to witness joint measurement of work done, to sign measurement books and similar such action in respect of the said ten-der/contract. All notices/correspondences with respect to the contract would be sent only to this authorized member of the JV firm.

No member of the Joint Venture firm shall have the right to assign or transfer the interest right or liability in the contract without the written consent of the other members and that of the employer in respect of the said tender/contract.

n. Documents to be enclosed by the JV firm along with the tender:

i. In case one or more of the members of the JV firm is/are partnership firm(s), following documents shall be submitted:

a. Notary certified copy of the Partnership Deed,

b. Consent of all the partners to enter into the Joint Venture Agreement on a stamp paper of appropriate value (in original).

c. Power of Attorney (duly registered as per prevailing law) in favor of one of the partners to sign the MOU and JV Agreement on behalf of the partners and create liability against the firm.

ii. In case one or more members is/are Proprietary Firm or HUF, the following documents shall be enclosed:

a. Affidavit on Stamp Paper of appropriate value declaring that his Concern is a Proprietary Concern and he is sole proprietor of the Concern OR he is in position of "KARTA" of Hindu Undivided Family and he has the authority, power and consent given by other partners to act on behalf of HUF.

iii. In case one or more members is/are limited companies, the following documents shall be submitted:

a. Notary certified copy of resolutions of the Directors of the Company, permitting the company to enter into a JV agreement, authorizing MD or one of the Directors or Managers of the Company to sign MOU, JV Agreement, such other documents required to be signed on behalf of the Company and enter into liability against the company and/or do any other act on behalf of the company.

b. Copy of Memorandum and articles of Association of the Company.

c. Power of Attorney (duly registered as per prevailing law) by the Company authorizing the person to do/act mentioned in the para (a) above.

o. All the members of the JV shall certify that they have not been black listed or debarred by BMC from participation in tenders/contract in the past either in their individual capacity or the JV firm or partnership firm in which they were members / partners.

p. Credentials & Qualifying criteria: Technical and financial eligibility of the JV firm shall be adjudged based on satisfactory fulfilment of the following criteria:

Technical eligibility criteria: In case of Work involving single discipline, the Lead member of the JV firm shall meet at least 35% requirement of technical capacity as stipulated in tender document.

OR

In case of composite works (e.g. works involving more than one distinct component such as Civil Engineering works, M&E works, Electrical works, etc. and in the case of major bridges, substructure and superstructure etc.), at least one member should have satisfactorily completed 35% of the value of any one component of the project work so as to cover all the components of project work or any member having satisfactorily completed 35% of the value of work of each component during last seven financial years.

In such cases, what constitutes a component in a composite work shall be clearly defined as part of the tender condition without any ambiguity.

Financial eligibility criteria: The contractual payments received by the JV firm or the arithmetic sum of contractual payments received by all the members of JV firm in any one of the previous three financial years and shall be at least **100% of the estimated value** of the work as mentioned in the tender.

84. Compensation for delay:

If the Contractor fails to complete the works and clear the site on or before the Contract or extended date(s) / period(s) of completion, he shall, without prejudice to any other right or remedy of Municipal Corporation on account of such breach, pay as agreed compensation, amount calculated as stipulated below (or such smaller amount as may be fixed by the Engineer) on the contract value of the whole work or on the contract value of the time or group of items of work for which separate period of completion are given in the contract and of which completion is delayed for every week that the whole of the work of item or group of items of work concerned remains uncompleted, even though the contract as a whole be completed by the

contract or the extended date of completion. For this purpose the term 'Contract Value' shall be the value of the work at Contract Rates as ordered including the value of all deviations ordered:

- Completion period for projects (originally stipulated or as extended) not exceeding 6 months : **to the extent of maximum 1 percent per week.**

- Completion period for projects (originally stipulated or as extended) exceeding 6 months and not exceeding 2 years: **to the extent of maximum ½ percent per week.**

- Completion period for projects (originally stipulated or as extended) exceeding 2 years : **to the extent of maximum ¼ percent per week.** When the delay is not a full week or in multiple of a week but involves a fraction of a week the compensation payable for that fraction shall be proportional to the number of days involved.

Provided always that the total amount of compensation for delay to be paid this condition shall not exceed the undernoted percentage of the Contract Value of the item or group of items of work for which a separate period of completion is given.

i) Completion period (as originally stipulated or as extended) not exceeding 6 months: **10 percent.**

ii) Completion period (as originally stipulated or as extended) exceeding 6 months and not exceeding 2 years : **7½ percent.**

iii) Completion period (as originally stipulated or as extended) exceeding 2 years : **5 percent.**

The amount of compensation may be adjusted set off against any sum payable to the contractor under this or any other contract with the Municipal Corporation.

85. Action And Compensation Payable In Case Of Bad Work And Not Done As Per Specifications

All works under or in course of execution or executed in pursuance of the contract, shall at all times be open and accessible to the inspection and supervision of the Engineer-in-charge, his authorized subordinates in charge of the work and all the superior officers, officer of the Vigilance Department of the BMC or any organization engaged by the BMC for Quality Assurance and the contractor shall, at all times, during the usual working hours and at all other times at which reasonable notice of the visit of such officers has been given to the contractor, either himself be present to receive orders and instructions or have a responsible agent duly accredited in writing, present for that purpose. Orders given to the Contractor's agent shall be considered to have the same force as if they had been given to the contractor himself.

If it shall appear to the Engineer-in-charge or his authorized subordinates in-charge of the work or to the officer of Vigilance Department, that any work has been executed with unsound, imperfect or unskillful workmanship or with materials of any inferior description, or that any materials or articles provided by him for the execution of the work are unsound or of a quality inferior to that contracted for or otherwise not in accordance with the contract, the contractor shall, on demand in writing which shall be made within twelve months of the completion of the work from the Engineer-in-Charge specifying the work, materials or articles complained of notwithstanding that the same may have been passed, certified and paid for forthwith rectify, or remove and reconstruct the work so specified in whole or in part, as the case may require or as the case may be, remove the materials or articles so specified and provide other proper and suitable materials or articles at his own charge and cost. In the event of the failing to do so within a period specified by the Engineer-in-Charge in his demand aforesaid, then the contractor shall be liable to pay compensation at the same rate as under clause 8.e. of the general condition of contract in section 9 of tender document (for Compensation for delay) for this default. In such case the Engineer-in Charge may not accept the item of work at the rates applicable under the contract but may accept such items at reduced rates as the Engineer in charge may consider reasonable during the preparation of on account bills or final bill if the item is so acceptable without detriment to the safety and utility of the item and the structure or he may reject the work

outright without any payment and/or get it and other connected and incidental items rectified, or removed and re-executed at the risk and cost of the contractor. Decision of the Engineer-in-Charge to be conveyed in writing in respect of the same will be final and binding on the contractor.

If the penalization amount exceeds maximum limit with respect to Clause 8.e of Standard General Conditions of Contract, then a show cause notice shall necessarily be issued to the contract as to why the contract should not be terminated.

86. Contractors remain liable to pay compensation:

In any case in which any of the powers conferred upon the Engineer In-charge by the **relevant clauses** in documents that form a part of contract as exercised or is exercisable in the event of any future case of default by the Contractor, he is declared liable to pay compensation amounting to the whole of his security deposit. The liability of the Contractor for past and future compensation shall remain unaffected.

In the event of the Executive Engineer taking action against these **relevant clauses**, he may, if he so desires, take possession of all or any tools and plant, materials and stores in or upon the work of site thereof or belonging to the Contractor or procured by him and intended to be used for the execution of the work or any part thereof paying or allowing for the same in account at the contract rates, or in the case of contract rates not being applicable at current market rates to be certified by the Executive Engineer, may after giving notice in writing to the Contractor or his staff of the work or other authorized agent require him to remove such tools and plants, materials or stores from the premises within a time to be specified in such notice and in the event of the Contractor failing to comply with any such requisition, the Executive Engineer may remove them at the contractors expense of sell them by auction or private sell on account of the Contractor at his risk in all respects and certificate of the Executive Engineer as to the expense of any such removal and the amount of the proceeds an expense of any such sell be final and conclusive against the Contractor.

87. No Claim To Any Payment Or Compensation Or Alteration In Or Restriction Of Work

(a) If at any time after the execution of contract documents, the Engineer shall for any reason whatsoever, desires that the whole or any part of the works specified in the Tender should be suspended for any period or that the whole or part of the work should not be carried out, at all, he shall give to the Contractor a Notice in writing of such desire and upon the receipt of such notice, the Contractor shall forthwith suspend or stop the work wholly or in part as required after having due regard to the appropriate stage at which the work should be stopped or suspended so as not to cause any damage or injury the work already done or endanger the safety thereof, provided that the decision of the Engineer as to the stage at which the work or any part of it could be or could have been safely stopped or suspended shall be final and conclusive against the contractor.

The Contractor shall have no claim to any payment or compensation whatsoever by reason of or in pursuance of any notice as aforesaid, on account of any suspension, stoppage or curtailment except to the extent specified hereinafter.

(b) Where the total suspension of Work Order as aforesaid continued for a continuous period exceeding 90 days the contractor shall be at liberty to withdraw from the contractual obligations under the contract so far as it pertains to the unexecuted part of the work by giving 10 days prior notice in writing to the Engineer within 30 days of the expiry of the said period of 90 days, of such intention and requiring the Engineering to record the final measurement of the work already done and to pay final bill. Upon giving such Notice, the Contractor shall be deem to have been discharged from his obligations to complete the remaining unexecuted work under his contract. On receipt of such notice the Engineer shall proceed to complete the measurement and make such payment as may be finally due to the contractor within a period of 90 days from the receipt of such Notice in respect of the work already done by the contractor. Such

payment shall not in any manner prejudice the right of the contractor to any further compensation under the remaining provisions of this clause.

(c) Where the Engineer required to Contractor to suspend the work for a period in excess of 30 days at any time or 60 days in the aggregate, the Contractor shall be entitled to apply to the Engineer within 30 days of the resumption of the work after such suspension for payment of compensation to the extent of pecuniary loss suffered by him in respect of working machinery remained ideal on the site of on the account of his having an to pay the salary of wages and labour engaged by him during the said period of suspension provided always that the contractor shall not be entitled to any claim in respect of any such working machinery, salary or wages for the first 30 days whether consecutive or in the aggregate or such suspension or in respect of any such suspension whatsoever occasion by unsatisfactory work or any other default on his part, the decision of the Engineer in this regard shall be final and conclusive against the contractor.

88. Contractor to supply plant, ladder, scaffolding, etc and is liable for damages arising from non provision of lights, fencing, etc.

The Contractor shall supply at his own cost all material, plant, tools, appliances, implements, ladders, cordage, tackle scaffolding and temporary works requisite or proper for the proper execution of the work, whether, in the original altered or substituted form and whether included in the specification of other documents forming part of the contract or referred to in these conditions or not and which may be necessary for the purpose of satisfying or complying with the requirements of the Eng-In-Charge as to any matter as to which under these conditions is entitled to be satisfied, or which is entitled to require together with the carriage therefore to and from the work.

The Contractor shall also supply without charge, the requisite number of person with the means and materials necessary for the purpose of setting out works and counting, weighing and assisting in the measurements of examination at any time and from time to time of the work or materials, failing which the same may be provided by the Engineer In-charge at the expense of the contractor and the expenses may be deducted from any money due to the contractor under the contract or from his security deposit or the proceeds of sale thereof, or offers sufficient portion thereof.

The contractor shall provide all necessary fencing and lights required to protect the public from accident and shall also be bound to bear the expenses of defence of every suit, action or other legal proceedings, that may be brought by any person for injury sustained owing to neglect of the above precautions and to pay any damages and cost which may be awarded in any such suit action or proceedings to any such person or which may with the consent of the contractor be paid for compromising any claim by any such person.

89. Prevention of Fire : The contractor shall not set fire to any standing jungle, trees, brushwood or grass without a written permit from the Engineer In-charge. When such permit is given, and also in all cases when destroying cut or dug up trees brushwood, grass, etc., by fire, the contractor shall take necessary measure to prevent such fire spreading to or otherwise damaging surrounding property. The Contractor shall make his own arrangements for drinking water for the labour employed by him.

90. Compensation for all damages done intentionally or unintentionally by contractor's labour whether in or beyond the limits of BMC property including any damage caused by spreading the fire shall be estimated by the Engineer In-charge or such other officer as he may appoint and the estimate of the Engineer in-charge to the decision of the Dy. Chief Engineer on appeal shall be final and the contractor shall be bound to pay the amount of the assessed compensation on demand failing which the same will be recovered from the Contractor as damages or deducted by the Engineer In-charge from any sums that may be due or become due from BMC to contractor under this Contract or otherwise. Contractor shall bear the

expenses of defending any action or other legal proceedings that may be brought to prevent the spread of fire and he shall pay any damages and costs that may be awarded by the Court in consequence.

91. In the case of Tender by partners, any change in the constitution of the firm shall be forthwith, notified by the contractor through the Engineer In-charge for his information.

92. Action where no specifications:

In the case of any class of work for which there is no such specifications, such works shall be carried out in accordance with the specifications and in the event of there being no such specifications, then in such case, the work shall be carried out in all respects in accordance with all instructions and requirements of the Engineer In-charge.

93. Safety and medical help :

(i) The Contractor shall be responsible for and shall pay the expenses of providing medical help to any workmen who may suffer a bodily injury as a result of an accident. If such expenses are incurred by BMC, the same shall be recoverable from the contractor forthwith and be included without prejudice to any other remedy of BMC from any amount due or that may become due to the Contractor.

(ii) The contractor shall provide necessary personal safety equipment and first-aid box for the use of persons employed on the site and shall maintain the same in condition suitable for immediate use at any time.

3) The workers shall be required to use the safety equipments so provided by the contractor and the contractor shall take adequate steps to ensure the proper use of equipments by those concerned.

4) When the work is carried on in proximity to any place where there is risk or drawing all necessary equipments shall be provided and kept ready for use and all necessary steps shall be taken for the prompt rescue of any person in danger.

5) No compensation shall be allowed for any delay caused in the starting of the work on account of acquisition of land or in the case of clearance of works, on account of ant delay in according to sanction of estimates.

95. Anti-malaria and other health measures: Anti-Malaria and other health measures shall be taken as directed by the Executive Health Officer of BMC. Contractor shall see that mosquito genic conditions are created so as to keep vector population to minimum level. Contractor shall carry out anti-malaria measures in the area as per the guidelines issued by the Executive Health Officer of BMC from time to time.

In case of default, in carrying out prescribed anti-malaria measures resulting in increase in malaria incidence, contractor shall be liable to pay BMC on anti-malaria measures to control the situation in addition to fine.

SECTION 10
SPECIFICATIONS

BRIHANMUMBAI MUNICIPAL CORPORATION

(HYDRAULIC ENGINEER'S DEPARTMENT)

Subject: Providing three layers epoxy based anticorrosive coating to New Tansa main from Tansa to Pogaon and Vaitarna main from Pachhapur to Pogaon in O.C. Division.

TECHNICAL SPECIFICATIONS**CLEANING OF PIPE SURFACE**

Surface preparation of external surface: The external surface of pipes, specials, apparatuses etc. shall be cleaned properly to remove any oil, dirt, scales etc. by using scrapper, wire brush, mechanical scrapers, power scrapers etc. . The surface shall be made dust free and then following painting system shall be applied.

Painting system:

- 1 One coat of epoxy primer coat of Amine or Polyamide cured surface tolerant Epoxy Primer coating as per BMC's specification having DFT of 100 microns.
- 2 Intermediate / Barrier coat of High Build Epoxy Barrier coat as per BMC's specification having DFT of 125 microns.
- 3 Aliphatic Polyurethane (PU) finish coat as per BMC's specification having DFT of 50 microns.

The total DFT after applying three coats shall be minimum 275 microns (100 + 125 + 50) & upper side variation in DFT is acceptable considering the old age of pipe lines & denting, pitting etc. due to environmental effects on water mains in O.C. Division. Colour shade of every coat shall be clearly different from each other so as to easily identify each shade.

EPOXY PRIMER

The epoxy primer shall be two component surfaces tolerant, high build amine or polyamide cured epoxy coating of following specifications. The total thickness of Primer coat shall be minimum 100 Microns (DFT).

SURFACE TOLERANT EPOXY PRIMER COATING

| Sr. No. | Description | Specifications / Requirements |
|---------|-----------------------|--|
| 1 | Shade | Reddish brown / brown or as recommended by Engineer. |
| 2 | Characteristics | Rust Inhibitive barrier coating. The coating is compatible for fusion on spot welding. |
| 3 | Pot Life | 3-4 hours |
| 4 | Shelf Life | At least 12 months when stored in a cool & dry place. |
| 5 | Covering Capacity | 6 – 8 Sq.mtrs / ltrs. giving dry film thickness of 100 microns (DFT). |
| 6 | Mixing Ratio | As per recommendation of manufacturer for specified DFT per coat. |
| 7 | Thinner | As per recommendation of manufacturer. |
| 8 | Application | Epoxy primer shall be suitable for application on mild steel pipes/structures by means of air spray, airless spray, brushes/rollers. |
| 9 | Drying Time | Touch dry : 3-4 Hrs Hard dry : 12-16 hours |
| 10 | Over coating Interval | Minimum - 16 hours Maximum -3 months. |
| 11 | Volume Solids | As per manufacturers specification suitable to give required DFT & coverage. |
| 12 | Dry Film Thickness | 100 microns |
| 13 | Procedure | Following cleaning of dust, dirt, grease mill scales from surface of pipes & specials, the surface shall be dry at the time of primer application. The primer shall be applied by airless spraying / rollers / brushes and shall be in accordance with the instructions for application as given by the manufacturers. The primer coat shall be uniform, and free from floods, runs, sags, drips or bare spots. Any bare spots shall be recoated with an additional application of the primer. All runs, sags, floods or drips shall be removed or all such defects shall be rectified as per the instructions of the BMC's site Engineer. |

EPOXY HIGH BUILD BARRIER (INTERMEDIATE) COAT

The epoxy high build barrier coat shall be of two component (resin + hardener) Epoxy High build coating confirming to the specification given below. The total thickness of barrier (intermediate) coat/s shall be minimum 125 microns (DFT).

| Sr. No. | Description | Specifications / Requirements |
|---------|-----------------------|--|
| 1 | Colour | Grey or as recommended by Engineer. |
| 2 | Characteristics | Heavy duty weather resistant barrier coat. |
| 3 | Pot Life | 3-4 hours |
| 4 | Shelf Life | At least 12 months when stored in a cool & dry place. |
| 5 | Covering Capacity | 5 - 7 Sq.mtrs / ltrs. giving dry film thickness of 125 microns (DFT). |
| 6 | Mixing Ratio | As per recommendation of manufacturer for specified DFT per coat. |
| 7 | Thinner | As per recommendation of manufacturer. |
| 8 | Application | Epoxy barrier shall be suitable for application on mild steel pipes/structures by means of air spray, airless spray, brushes/rollers. |
| 9 | Drying Time | Touch dry : 2-3 Hrs Hard dry : 12-16 hours |
| 10 | Over coating Interval | Minimum- 16 hours Maximum-3 months |
| 11 | Volume Solids | As per manufacturers specification suitable to give required DFT & coverage. |
| 12 | Dry Film Thickness | 125 microns |
| 13 | Procedure | Following cleaning & application of surface tolerant epoxy primer. The surface shall be dry at the time of epoxy barrier application. The epoxy barrier shall be applied by airless spraying / rollers / brushes and shall be in accordance with the instructions for application as given by the manufacturers. The barrier coat shall be uniform, and free from floods, runs, sags, drips or bare spots. Any bare spots shall be recoated with an additional application of the barrier. All runs, sags, floods or drips shall be removed or all such defects shall be rectified as per the instructions of the BMC's site Engineer. |

ALIPHATIC POLYURETHANE (PU) FINISH COAT

The Aliphatic Polyurethane (PU) finish coat shall be of two component (resin + hardener) Aliphatic Polyurethane Paint confirming to the specification given below. The total thickness of finish coat shall be minimum 50 microns (DFT).

| Sr. No. | Description | Specifications / Requirements |
|---------|-----------------------|--|
| 1 | Colour | Dark (DA) Grey or as recommended by Engineer. |
| 2 | Characteristics | Excellent anticorrosive properties, heavy duty weather resistant PU finish coat. |
| 3 | Pot Life | 3-4 hours |
| 4 | Shelf Life | At least 12 months when stored in a cool & dry place. |
| 5 | Covering Capacity | 9 -11 Sq. mtrs / ltrs. giving dry film thickness of 50 microns (DFT). |
| 6 | Mixing Ratio | As per recommendation of manufacturer for specified DFT per coat. |
| 7 | Thinner | As per recommendation of manufacturer. |
| 8 | Application | The Aliphatic Polyurethane (PU) finish coat shall be suitable for application on mild steel pipes/structures by means of air spray, airless spray, brushes/rollers. |
| 9 | Drying Time | Touch dry : 1-2 Hrs Hard dry : 12 hours Full cure: 6-7 days. |
| 10 | Over coating Interval | Minimum- 6 hours Maximum-3 months |
| 11 | Volume Solids | As per manufacturers specification suitable to give required DFT & coverage. |
| 12 | Dry Film Thickness | 50 microns |
| 13 | Procedure | Following cleaning, application of epoxy primer & application of epoxy high build barrier (intermediate) coat. The surface shall be dry at the time of Aliphatic Polyurethane (PU) finish coat application. The Aliphatic Polyurethane (PU) finish coat shall be applied by airless spraying / rollers / brushes and shall be in accordance with the instructions for application as given by the manufacturers. The Aliphatic Polyurethane (PU) finish coat shall be uniform, and free from floods, runs, sags, drips or bare spots. Any bare spots shall be recoated with an additional application of the epoxy PU finish coat. All runs, sags, floods or drips shall be removed or all such defects shall be rectified as per the instructions of the BMC's site Engineer. |

TESTING OF MATERIAL

Testing of the epoxy material required for anticorrosive epoxy painting to mild steel water mains shall be carried out in the following manner -

I) The material required for providing anticorrosive epoxy coating on mild steel water trunk mains i.e. containers of hardener & base of two component surfaces tolerant, high build amine or polyamide cured epoxy primer coat, two component high build epoxy paint for barrier coat and two component high build polyurethane paint for finish coat shall be made available along with Manufacturer's test certificates for each batch of the epoxy paint showing details of batch No., date of manufacturing, shade, weight / Liter, drying time, pot life etc.

II) The sample of epoxy paint from each lot having quantity 2000 Liters to 10000 Liters of each coat i.e. surface tolerant epoxy primer, epoxy high build barrier coat and aliphatic polyurethane finish paint shall be tested from any of the following institution -

A) NATIONAL TEST HOUSE (NTH), ANDHERI (E), MUMBAI – 400 093.

B) MICRO SMALL & MEDIUM ENTERPRISES (MSME) GOVT. OF INDIA LABORATORY,
MSME TESTING CENTRE (WESTERN REGION) SAKI NAKA, MUMBAI.

C) ANY GOVT. APPROVED LABORATORY FOR TESTING OF PAINTS i.e. epoxy primer, epoxy high build barrier and aliphatic polyurethane (PU) finish paint.

III) The laboratory test shall be carried out for surface tolerant epoxy primer, epoxy high build barrier coat and aliphatic polyurethane finish coat for random sample from every lot for following tests in addition to below tests ,any other test if required for the work, shall also be carried out by contractor:

- i) Adhesion Test,
- ii) Scratch Hardness Test,
- iii) Percentage Volume of solid.
- iv) Salt Spray Test
- v) DFT Test

IV) Samples for testing will be collected randomly by BMC Engineer from each lot of paint from the stock of the material delivered at site / Godown. Sample for testing to any of above testing laboratory will be sent by BMC site Engineer along with contractor's authorized representative to respective institution. All the necessary charges towards testing and inspection charges to be paid to testing laboratories shall be borne by the contractor. To maintain the continuity in work & considering the time constraints & urgency of work, if required, the contractor will be allowed to use the paint on the basis of

manufacturers test report subject to undertaking from the contractor taking complete responsibility of rework in case of failure of sample of particular batch of paint in test.

V) The contractor shall deliver epoxy painting material along with necessary documents i.e. Delivery challan, manufacturers test certificate for each batch of the epoxy paint showing details of batch no., date of manufacturing, lot no., shade, weight/liter, drying time, pot life etc. All the quantity of materials brought to site in above manner shall be shown to B.M.C.'s site Engineer along with all necessary documents.

VI) The contractor shall submit brand / manufacturers name of the paint which will be used for painting on site.

VII) The contractor shall arrange joint visit to the paint manufacturing unit before supply of paint.

BRAND / MANUFACTURER OF PAINT

The epoxy paints. i.e. surface tolerant epoxy primer, epoxy high build barrier coat and aliphatic polyurethane finish coat shall be strictly as per BMC's specifications and requirements. The epoxy paint shall be of reputed brand such as Asian Paints, Berger Paints, Metcon, Nerolac, Dooall etc. subject to fulfilling following terms.

1. The contractor shall submit the technical literature of epoxy paint and consent letter from reputed epoxy paint manufacturers to supply the epoxy paints for above work as per BMC's technical specification & requirements.
2. The Paint Manufacturer shall be registered under "Udyog Aadhar" Certificate issued by Ministry of MSME (Micro & Medium Enterprises Department).
3. The Paint Manufacturer registered under Factories Act, 1948.
4. The Paint Manufacturer shall have valid certificate from Maharashtra Pollution Control Board (MPCB).
5. The Paint Manufacturer unit shall have ISO 9001/ 2015 certification & at least 10 years establishment in existence with same name.

The successful contractor shall submit the documents showing fulfillment of above points along with the consent letter from the paint manufacturer.

GENERAL REQUIREMENTS

- i) The contractor shall arrange adequate man power, stores, scrapper, cleaner, brushes, scaffolding etc. on site for the successful execution of work within contract period as per B.M.C.'s tender specification and requirements. Water required for washing & cleaning of trunk mains during execution of work will be provided by B.M.C. free of cost at site. The charges towards making of water connection/ shifting shall be paid by the contractor as per BMC's approved rates.
- ii) The cost quoted shall be inclusive of all the charges towards material cost, taxes, duties, insurance, labour charges, safety & security etc.
- iii) The contractor shall provide necessary ward & watch for security arrangement of material, tools etc. on site required for the execution of the work to avoid any theft / losses.
- iv) Safety & security of working staff on site & local issues shall be the responsibility of the contractor.

The contractor shall provide new digital DFT measuring instrument along with its calibration certificate at each section separately for measuring dry film thickness (DFT) of each coat & cumulative dry film thickness during execution of painting work. In case of not providing and keeping DFT measuring instrument by the contractor at site BMC will purchase the same and necessary charges of the DFT meter including Rs.10,000/- penalty will be recovered from contractor's running bill.

Sd/-
S.E.(Tansa)

Sd/-
S.E.(Jamboli)

Sd/-
A.E. (Tansa)

Sd/-
A.E.W.W. Kapurbawdi

Sd/-
Ex. Eng.(Operations)

SECTION 11 FRAUD AND CORRUPT PRACTICES

FRAUD AND CORRUPT PRACTICES

· The Applicants and their respective officers, employees, agents and advisers shall observe the highest standard of ethics during the Bidding Process. Notwithstanding anything to the contrary contained herein, the Authority may reject an Application without being liable in any manner whatsoever to the Applicant if it determines that the Applicant has, directly or indirectly or through an agent, engaged in corrupt practice, fraudulent practice, coercive practice, undesirable practice or restrictive practice in the Bidding Process.

· Without prejudice to the rights of the Authority under relevant Clause hereinabove, if an Applicant is found by the Authority to have directly or indirectly or through an agent, engaged or indulged in any corrupt practice, fraudulent practice, coercive practice, undesirable practice or restrictive practice during the Bidding Process, such Applicant shall not be eligible to participate in any tender or RFQ issued by the Authority during a period of 2 (two) years from the date such Applicant is found by the Authority to have directly or indirectly or through an agent, engaged or indulged in any corrupt practice, fraudulent practice, coercive practice, undesirable practice or restrictive practice, as the case may be.

· For the purposes of this Clause , the following terms shall have the meaning hereinafter respectively assigned to them:

A. “corrupt practice” means the offering, giving, receiving, or soliciting, directly or indirectly, of anything of value to influence the actions of any person connected with the Bidding Process (for avoidance of doubt, offering of employment to, or employing, or engaging in any manner whatsoever, directly or indirectly, any official of the Authority who is or has been associated in any manner, directly or indirectly, with the Bidding Process or the LOA or has dealt with matters concerning the Concession Agreement or arising there from, before or after the execution thereof, at any time prior to the expiry of one year from the date such official resigns or retires from or otherwise ceases to be in the service of the Authority, shall be deemed to constitute influencing the actions of a person connected with the Bidding Process); or save and except as permitted under the relevant sub clause, engaging in any manner whatsoever, whether during the Bidding Process or after the issue of the LOA or after the execution of the Concession Agreement, as the case may be, any person in respect of any matter relating to the Project or the LOA or the Concession Agreement, who at any time has been or is a legal, financial or technical adviser of the Authority in relation to any matter concerning the Project;

B. “fraudulent practice” means a misrepresentation or omission of facts or suppression of facts or disclosure of incomplete facts, in order to influence the Bidding Process ;

C. “coercive practice” means impairing or harming or threatening to impair or harm, directly or indirectly, any person or property to influence any persons participation or action in the Bidding Process;

D. “undesirable practice” means (i) establishing contact with any person connected with or employed or engaged by the Authority with the objective of canvassing, lobbying or in any manner influencing or attempting to influence the Bidding Process; or (ii) having a Conflict of Interest; and

E. “Restrictive practice” means forming a cartel or arriving at any understanding or arrangement among Applicants with the objective of restricting or manipulating a full and fair competition in the Bidding Process.

F. If the Employer/Financier determines that the Contractor has engaged in corrupt, fraudulent, collusive, coercive or obstructive practices, in competing for or in executing the Contract, then the Employer may, after giving 14 days' notice to the Contractor, terminate the Contractor's employment under the Contract and expel him from the Site, and the provisions of relevant Clause shall apply as if such expulsion had been made.

G. Should any employee of the Contractor be determined to have engaged in corrupt, fraudulent, collusive, coercive, or obstructive practice during the execution of the Works, then that employee shall be removed in accordance with relevant Clause.

For the purposes of this Sub-Clause:

i. "corrupt practice" is the offering, giving, receiving to soliciting, directly or indirectly, of anything of value to influence improperly the actions of another party;

ii. "another party" refers to a public official acting in relation to the procurement process or contract execution. In this context, "public official" includes Financier staff and employees of other organizations taking or reviewing procurement decisions.

iii. "fraudulent practice" is any act or omission, including a misrepresentation, that knowingly or recklessly misleads, or attempts to mislead, a party to obtain a financial or other benefit or to avoid an obligation;

iv. "collusive practice" is an arrangement between two or more parties designed to achieve an improper purpose, including to influence improperly the actions of another party;

v. "coercive practice" is impairing or harming, or threatening to impair or harm,

directly or indirectly, any party or the property of the party to influence improperly the actions of a party;

6) "obstructive practice" is deliberately destroying, falsifying, altering or concealing of evidence material to the investigation or making false statements to investigators in order to materially impede the Financier investigation into allegations of a corrupt, fraudulent, coercive or collusive practice; and/or threatening, harassing or intimidating any party to prevent it from disclosing its knowledge of matters relevant to the investigation or from pursuing the investigation; or acts intended to materially impede the exercise of the Financier's inspection and audit rights provided

7) "party" refers to a public official; the terms "benefit" and "obligation" relate to the procurement process or contract execution; and the "act or omission" is intended to influence the procurement process or contract execution.

8) "parties" refers to participants in the procurement process (including public officials) attempting to establish bid prices at artificial, noncompetitive levels.

9) a "party" refers to a participant in the procurement process or contract execution.

SECTION 12
PRE BID MEETING (N.A.)

Pre-bid meeting of the interested parties shall be convened at the designated date, time and place. A maximum of three representatives of each applicant shall be allowed to participate on production of authority letter from the Applicant.

During the course of Pre-bid meeting, the Applicants will be free to seek clarifications and make suggestions for consideration of the Authority. The Authority shall Endeavour to provide clarifications and such further information as it may, in its sole discretion, consider appropriate for facilitating a fair, transparent and competitive Bidding Process.

List of approved bank for Acceptance of Bank Guarantee

10) The following banks with their Branches in BRIHANMUMBAI from Churchgate to Virar & from CST to Kalyan have been approved only for the purpose of accepting Banker's guarantee from 1994-95 onwards until further instructions.

11) The Banker's guarantee issued by branches of approved Banks beyond Kalyan and Virar can be accepted only if the said Banker's Guarantee is countersigned by the Manager of a Branch of the same bank within the Mumbai city limits, categorically endorsing thereon that the said Banker's Guarantee is binding on the endorsing Branch of the Bank within Mumbai limits and is liable to be enforced against the said Branch of the Bank in case of default by the bidder / supplier furnishing the Banker's Guarantee.

12) List of approved bank

| A | S.B.I and its subsidiary Banks | | |
|----------|---------------------------------------|----------|--|
| 1 | State Bank Of India. | 16 | Laxmi Vilas Bank Ltd. |
| B | Nationalized Banks | 17 | Nedugundi Bank Ltd. |
| 1 | Bank Of Baroda. | 18 | Ratnakar Bank Ltd. |
| 2 | Bank Of India. | 19 | Sangli Bank Ltd. |
| 3 | Bank Of Maharashtra. | 20 | South Indian Bank Ltd. |
| 4 | Indian Overseas Bank. | 21 | S.B.I Corporation & Int Bank Ltd. |
| 5 | Punjab National Bank. | 22 | Tamilnadu Mercantile Bank Ltd. |
| 6 | Syndicate Bank. | 23 | United Western Bank Ltd. |
| 7 | Union Bank Of India. | 24 | Vysya Bank Ltd. |
| C | Scheduled Commercial Banks | D | Schedule Urban Co-op Banks |
| 1 | Bank Of Madura Ltd. | 25 | Abhyudaya Co-op Bank Ltd. |
| 2 | Bank Of Rajasthan Ltd. | 26 | Bassein Catholic Co-op Bank Ltd. |
| 3 | Banaras State Bank Ltd. | 27 | Bharat Co-op Bank Ltd. |
| 4 | Bharat Overseas Bank Ltd | 28 | Bombay Mercantile Co-op Bank Ltd. |
| 5 | Catholic Syrian Bank Ltd. | 29 | Cosmos Co-op Bank Ltd. |
| 6 | City Union Bank Ltd. | 30 | BRIHANMUMBAI Co-op Bank Ltd. |
| 7 | Development Credit Bank. | 31 | JanataSahakari Bank Ltd. |
| 8 | Dhanalakshmi Bank Ltd. | 32 | Mumbai District Central Co-op Bank Ltd. |
| 9 | Federal Bank Ltd. | 33 | Maharashtra State Co-op Bank Ltd. |
| 10 | Indsind Bank Ltd. | 34 | New India Co-op Bank Ltd. |
| 11 | I.C.I.C.I Banking Corporation Ltd. | 35 | North Canara G.S.B. Co-op Bank Ltd. |
| 12 | Global Trust Bank Ltd. | 36 | Rupee Co-op Bank Ltd. |
| 13 | Jammu & Kashmir Bank Ltd. | 37 | Sangli Urban Co-op Bank Ltd. |
| 14 | Karnataka Bank Ltd. | 38 | Saraswat Co-op Bank Ltd. |
| 15 | KarurVysya Bank Ltd. | 39 | ShamraoVithal Co-op Bank Ltd. |
| | | 40 | Mahanagar Co-op Bank Ltd. |
| | | 41 | Citizen Bank Ltd. |
| | | 42 | Yes Bank Ltd. |
| | | E | Foreign Banks |
| | | 43 | ABM AMRO (N.Y.) Bank. |
| | | 44 | American Express Bank Ltd. |
| | | 45 | ANZ Grindlays Bank Ltd. |
| | | 46 | Bank Of America N.T. & S.A. |
| | | 47 | Bank Of Tokyo Ltd. |
| | | 48 | Bankindosuez. |
| | | 49 | BanqueNationale de Paris. |
| | | 50 | Barclays bank. |
| | | 51 | City Bank N.A. |
| | | 52 | Hongkong & Shanghai banking Corporation. |
| | | 53 | Mitsui Taiyokbe Bank Ltd. |
| | | 54 | Standard Chartered Bank. |
| | | 55 | Cho Hung Bank. |

SECTION -14
APPENDIX
FORM OF TENDER

To,
The Municipal Commissioner for BRIHANMUMBAI
Sir,

I/ We have read and examined the following documents relating to the construction of

-
-
- i. Notice inviting tender.
 - ii. Directions to tenderers (General and special)
 - iii. General condition of contract for Civil Works of the Brihanmumbai Municipal Corporation as amended up to date.
 - iv. Relevant drawings
 - v. Specifications.
 - vi. Special directions
 - vii. Annexure A and B.
 - viii. Bill of Quantities and Rates.

1A. I/We _____

(full name in capital letters, starting with surname), the Proprietor/ Managing Partner/ Managing Director/ Holder of the Business, for the establishment / firm / registered company, named herein below, do hereby offer to

.....
.....
.....
.....

Referred to in the specifications and schedule to the accompanying form of contract of the rates entered in the schedule of rates sent herewith and signed by me/ us" (strike out the portions which are not applicable).

1B. I/We do here by state and declare that I/We, whose names are given herein below in details with the addresses, have not filled in this tender under any other name or under the name of any other establishment /firm or otherwise, nor are we in any way related or concerned with the establishment /firm or any other person, who have filled in the tender for the aforesaid work."

2. I/We hereby tender for the execution of the works referred to in the aforesaid documents, upon the terms and conditions, contained or referred to therein and in accordance with the specifications designs, drawings and other relevant details in all respects.

* At the rates entered in the aforesaid Bill of Quantities and Rates.

3. According to your requirements for payment of Earnest Money amounting to Rs. _____ /- (Rs. _____)

I/We have deposited the amount through online payment gateways with the C.E. of the Corporation not to bear interest

4. I/We hereby request you not to enter into a contract with any other person/s for the execution of the works until notice of non/acceptance of this tender has first been communicated to me/us, and in consideration of yours agreeing to refrain from so doing I/we agree not to withdraw the offer constituted by this tender before the date of communication to me/us of such notice of non/acceptance, which date shall be not later than ten days from the date of the decision of the Standing Committee or Education Committee of the Corporation, as maybe required under the Mumbai Municipal Corporation Act, not to accept this tender.(Subject to condition 5 below).

5. I/We also agree to keep this tender open for acceptance for a period of 180 days from the date fixed for opening the same and not to make any modifications in its terms and conditions which are not acceptable to the Corporation.

6. I/We agree that the Corporation shall, without prejudice to any other right or remedy, be at liberty to forfeit the said earnest money absolutely, if.

a. I/We fail to keep the tender open as aforesaid.

b. I/We fail to execute the formal contract or make the contract deposit when called upon to do so.

c. I/we do not commence the work on or before the date specified by the Engineer in his work order.

7. I/We hereby further agree to pay all the charges of whatsoever nature in connection with the preparation, stamping and execution of the said contract.

8. I/We further agree that, I/we shall register ourselves as 'Employer' with the Bombay Iron and Steel Labour Board' and fulfill all the obligatory provisions of Maharashtra Mathadi, Hamal and other Manual workers

(Regulation of Employment and Welfare) Act 1969 and the Bombay Iron and Steel unprotected workers Scheme 1970.

9. "I/We..... have failed in the accompanying tender with full knowledge of liabilities and, therefore, we will not raise any objection or dispute in any manner relating to any action, including forfeiture of deposit and blacklisting, for giving any information, which is found to be incorrect and against the instructions and directions given in this tender.

10. "I/We further agree and undertake that in the event it is revealed subsequently after the allotment of work/contract to me/us, that any information given by me/us in this tender is false or incorrect, I/We shall compensate the Brihanmumbai Municipal Corporation for any such losses or inconvenience caused to the Corporation in any manner and will not resist any claim for such compensation on any ground whatsoever. I/we agree and undertake that I/we shall not claim in such case any amount by way of damages or compensation for cancellation of the contract given to me/us or any work assigned to me/us or is with-drawn by the Corporation,"

Address

Yours faithfully,

.....
.....

Digital Signature of the Tenderer or the Firm

- 1.....
- 2.....
- 3.....
- 4.....
- 5.....

Full Name and private residential address of all the partners constituting the Firm

A/c No.

.....

1.....

Name of Bank

2.....

.....

3.....

Name of Branch

4.....

.....

5.....

Vender No.

AGREEMENT FORM

Tender / Quotation dated 2020

Standing Committee/Education Committee Resolution No.

CONTRACT FOR THE WORKS

This agreement made this day of

Two thousand Between

inhabitants of Mumbai, carrying on business at.....

in Bombay under the style and name of Messrs

"the contractor of the one part and Shri (Hereinafter called

the D.M.C.(SE) (hereinafter called "the commissioner" in which expression are included unless the inclusion is inconsistent with the context, or meaning thereof, his successor or successors for the time being holding the office of Director (E,S.& P)of the second part and the Brihanmumbai Municipal Corporation (hereinafter called "the Corporation") of the third part, WHEREAS the contractor has tendered for the construction, completion and maintenance of the works described above and his tender has been accepted by the Commissioner (with the approval of the Standing Committee/Education Committee of the Corporation NOW THIS

THIS AGREEMENT WITNESSETH as follows:-

1. In this agreement words and expressions shall have the same meanings as are respectively assigned to them in the General Conditions of Contract for works hereinafter referred to
2. The following documents shall be deemed to form and be read and constructed as a part of this agreement viz.
 - a) The letter of Acceptance
 - b) The Bid
 - c) Addendum to Bid; if any
 - d) Tender Document
 - e) The Bill of Quantities:
 - f) The Specification:
 - g) Detailed Engineering Drawings
 - h) Standard General Conditions of Contracts (GCC)
 - i) All correspondence documents between bidder and BMC
- 3) In consideration of the payments to be made by the Commissioner to the contractor as hereinafter mentioned the contractor hereby covenants with the Commissioner to construct, complete and maintain the works in conformity in all respects with the provision of the contract. The Commissioner hereby covenants to pay to the Contractor in consideration of the construction, completion and maintenance of the works the contract sum, at times and in the manner prescribed by the contract.
- 4) IN WITNESS WHERE OF the parties hereto have caused their respective common seals to be herein to affixed (or have hereunto set their respective hands and seals) the day and year above written.

| | |
|---|----------------------|
| Signed, Sealed and delivered by the contractors | |
| | |
| | |
| | |
| In the presence of | |
| | |
| | |
| Full Name | |
| Address | |
| | |
| Signed by the D.M.C. (S.E.) in the presence of | Ex. Eng (Operations) |
| | |
| | |
| | D.M.C. (S.E.) |
| The Common seal of the Brihanmumbai Municipal Corporation was hereunto affixed on the 20 in the presence of two members of the Standing Committee. | |
| 1. | 1. |
| | |
| 2. | 2. |
| | |
| And in the presence of the Municipal Secretary | Municipal Secretary |

ANNEXURE " A "

Name of work :

| | | |
|----|----------------------------------|------------------------|
| 1. | The Engineer for this work: | |
| 2. | Estimated cost of Tender: | 17,62,39,720.00 |

| Sr No | Description of work | Total Amount Rs. |
|-------|---------------------|------------------|
| 1 | Civil Work | |
| 2 | Electrical Work | |
| | Total Amount | |

| | | |
|--|--|------------------------------------|
| | Earnest Money (1% of the Estimated cost) | Rs. 17,62,400.00 |
| | Time Period | 8 Months (Exclusive of Monsoon) |
| | Contract as a whole Period completion | |
| | Part or Groups of items | |
| | i) | i) |
| | ii) | ii) |
| | iii) | iii) |

Percentage to be charged as supervision charges for the work got executed through other meanspercent.

The "Actual cost of the work" shall mean in the case of percentage rate contracts the actual cost of the work executed at the rates as mentioned in the Contract Schedule adjusted by the Contractor's percentage rate and cost of extra and excess, but excluding the cost on account of Water Charges and Sewerage Charges if any, payable by the contractor and also excluding cost on account of price variation claims as provided in price variation clause as amended up to date.

In case of item rate contracts the actual cost calculated for the work executed at the rates mentioned in the contract schedule for different items including cost of excess and extra items of the work excluding the cost of water charges and sewerage charges if any, payable by the contractor and excluding cost on account of price variation claims as provided in extra excess conditions as amended up to date.

In case of lump sum contract the cost of the work actually carried out as per break up and programme of the work and the schedule of payment included in the contract including cost of any excess and/or extra items, of the work, excluding the cost on account of water charges and sewerage charges and also excluding cost on account of price variation claims as provided in extra excess conditions as amended up to date.

Annexure- B

PRE-CONTRACT INTEGRITY PACT

The Bidder commits himself to take all measures necessary to prevent corrupt practices, unfair means and illegal activities during any stage of his bid or during any pre-contract or post-contract stage in order to secure the contract or in furtherance to secure it and in particular commits himself to the following: -

1. The Bidder will not offer, directly or through intermediaries, any bribe, gift, consideration, reward, favour, any material or immaterial benefit or other advantage, commission, fees, brokerage or inducement to any official of the BMC, connected directly or indirectly with the bidding process, or to any person, organization or third party related to the contract in exchange for any advantage in the bidding, evaluation, contracting and implementation of the Contract.
2. The Bidder further undertakes that he has not given, offered or promised to give, directly or indirectly any bribe, gift, consideration, reward, favour, any material or immaterial benefit or other advantage, commission, fees, brokerage or inducement to any official of the BMC or otherwise in procuring the Contract or forbearing to do or having done any act in relation to the obtaining or execution of the Contract or any other Contract with the Government for showing or forbearing to show favour or disfavour to any person in relation to the Contract or any other Contract with the Government.
3. The Bidder will not collude with other parties interested in the contract to impair the transparency, fairness and progress of the bidding process, bid evaluation, contracting and implementation of the contract.
4. The Bidder will not accept any advantage in exchange for any corrupt practice, unfair means and illegal activities.
5. The Bidder, either while presenting the bid or during pre-contract negotiations or before signing the contract, shall disclose any payments he has made, is committed to or intends to make to officials of the BMC or their family members, agents, brokers or any other intermediaries in connection with the contract and the details of services agreed upon for such payments.
6. The Bidder shall not use improperly, for purposes of competition or personal gain, or pass on to others, any information provided by the BMC as part of the business relationship, regarding plans, technical proposals and business details, including information contained in any electronic data carrier. The Bidder also undertakes to exercise due and adequate care lest any such information is divulged.
7. The Bidder commits to refrain from giving any complaint directly or through any other manner without supporting it with full and verifiable facts.
8. The Bidder shall not instigate or cause to instigate any third person to commit any of the actions mentioned above.
9. The Bidder and their respective officers, employees, agents and advisers shall observe the highest standard of ethics during the Bidding Process. Notwithstanding anything to the contrary contained herein, the Authority may reject an Application without being liable in any manner whatsoever to the Applicant if it determines that the

Applicant has, directly or indirectly or through an agent, engaged in corrupt practice, fraudulent practice, coercive practice, undesirable practice or restrictive practice in the Bidding Process

For the purposes of this Clause 9, the following terms shall have the meaning herein after respectively assigned to them:

1. "fraudulent practice" means a misrepresentation or omission of facts or suppression of facts or disclosure of incomplete facts, in order to influence the Bidding Process ;
2. "coercive practice" means impairing or harming or threatening to impair or harm, directly or indirectly, any person or property to influence any persons participation or action in the Bidding Process;
3. "undesirable practice" means (i) establishing contact with any person connected with or employed or engaged by the Authority with the objective of canvassing, lobbying or in any manner influencing or attempting to influence the Bidding Process; or (ii) having a Conflict of Interest; and
4. "restrictive practice" means forming a cartel or arriving at any understanding or arrangement among Applicants with the objective of restricting or manipulating a full and fair competition in the Bidding Process.

Signature of Tenderer/Bidder

Annexure- C

(On Rs. 500/- Stamp Paper)

DECLARATION CUM INDEMNITY BOND

To,
The Municipal commissioner,
Brihanmumbai Municipal Corporation.

Sub;-

I, Shri. /Smt. _____, an indian inhabitant , residing at _____ do hereby solemnly affirm, state and declare, indemnify and undertake as under:

OR

We m/s. _____ , a propritory firm of shri. _____ Having its office at _____ ,
do hereby solemnly affirm, state and declare, indemnify and undertake as under:

OR

We m/s. a partnership firm duly signed registered under the indian partnership act 1932 having their registered office at _____ do hereby solemnly affirm, state and declare, indemnify and undertake as under:

OR

We m/s. _____ , a company incorporated under the provision of the companies act 1956 and having its registerd office at _____ , do hereby solemnly affirm, state and declare, indemnify and undertake as under:

OR

We m/s. _____ ,a joint venture / consortium of m/s. _____ and m/s. _____
duly registered under the indian partnership act 1932 ,having their registered office at _____
do hereby solemnly affirm, state and declare, indemnify and undertake as under:

I /We say that as per approval of standing committee resolution No. _____ dated _____ , I / We
have been awarded the work of _____ (hereafter referred as the "contract work ") for the period of
(months / years) (including /excluding monsoon), contract cost amounting to Rs. _____ /- (Rupees
only) (including / excluding GST).Over and above the completion of contract period of (months / years) (including
/excluding monsoon),

I /We say that I / We have , entered the contract agreement with the Brihanmumbai Municipal Corporation
(BMC) duly executed on _____ and for the aforesaid contract work ,I /We have paid the security deposit of Rs.
/- (Rupees _____ only) at the rate of _____ % of the total contract cost , by way of cash vide receipt no. _____ dated _____ /
bank guarantee having no. _____ dated / Demand draft no. _____ dated _____ for due and faithful compliance of
the terms and conditions of the tender document / contract agreement of the said contract work.

I /We say that ,BMC has also withheld the retention money from the R.A. Bills at the rate of % of the individual R.A. Bill, as security for due and faithful compliance of the terms and condition of the tender document / contract agreement of the said contract work.

I /We say that, I / We am/ are aware about the circular issued by the state government of Maharashtra under no. 1010/ 100/2020/ 12 dated 29.07.2020 in order to overcome the crises of covid-19 pandemic.

I /We say that, I / We am/ are also aware about the latest circular under no. CA(Finance)/ project/ 21 dated 07.08.2020 issued by BMC , in lieu of the aforesaid circular of state government and in order to help / exempt/ refund the contractors, the contract security deposit / retention money is restricted to 2% of the total contract cost , for completing the ongoing BMC , works, within the prescribed time limit.

I/We Say that, I/We have gone through the aforesaid circular with Annexures therein issued by BMC and I/We agree to the reduction in Contract Deposit amount Retention Money Deposit, at offset rate as per working in the aforesaid circular of BMC.

I/We said that, due to said reduction in Contract Deposit amount/Retention Money, I/We got the financial benefits and hence, hereby agree to give BMC, the offset in contract rate (_____) as accepted by BMC while allotting contract work to Me/Us.

I/We hereby authorize BMC to reduce the contract rate (_____) from _____ to _____ and further agree to give the said offset, even if any changes in the tax structure.

I/We say and undertake that, in future if any saving incurred in contract period /contract sum then as per said circular and I/We am/are ready to give consent recover the entire/balance off set amount from my Final bill or my final dues pending with BMC.

I/We hereby submit my/our Undertaking-Cum-Indemnity bond, to abide by the said circular and Annexures therein issued under no. CA(Finance)/Project/21 dated 07.09.2020.

I/We am/are aware that the suspension or revocation or termination of this contract Agreement, for any reason whatsoever shall no prejudice or affect any claim or demand whatsoever of the municipal commissioner or any authority of the BMC hereunder , nor shall I/We be entitled in the event of the suspension or revocation of this contract agreement to any refund of any payment whatsoever made by me / us hereunder.

I/ We hereby declare and indemnify save and harmless the BMC , its officers, servants, and agents and the municipal commissioner from and against all actions, acts, costs, suits, claims, damages, demands, of any nature and kind whatsoever , which may be instituted claimed or made against the BMC, its officers, servants and agents and the municipal Commissioner by any person or persons, any third party or legal entity by reasons of the BMC and/or the Municipal Commissioner having reduced the Contract Deposit amount/Retention Money deposit and I/We reduced the contract rate (_____) from _____ to _____.

I/We say that, this Undertaking-cum-Indemnity Bond are and shall be deemed to form part of the Contract Agreement dated _____ and shall be read and constructed to be part of the Contract Agreement _____ and violations of any of the terms and condition of the aforesaid Undertaking-cum-Indemnity Bond will be treated as breach of the Contract Agreement dated _____ and will be dealt accordingly.

I/We say and undertake that I/We shall be liable to civil as well as criminal prosecution in the event information submitted by me/us are found to be fake/false and/or incorrect and in such case not only the security Deposit/Retention Money paid by me/ us shall be forfeited by BMC, but BMC shall also be entitled to initiate appropriate legal/penal action against me/us.

I/We say that the Undertaking-cum-indemnity bond is binding on me/us my/our legal heirs/executors, administrators, successors and assigns.

I/We hereby undertake that the copy of the Aadhar card and/or Pan Card/Registration Certificate submitted toward my/our identification belongs to me/us.

I/We state on solemn affirmation that whatever stated herein above is true to my/our own knowledge and I/We believe the same to be true.

Place :-

Date :-

Signature of Tenderer/Bidder

BANKERS GURANTEE IN LIEU OF CONTRACT DEPOSIT

THIS INDENTURE made this _____ day of _____ BETWEEN

THE _____ BANK incorporated under the English/Indian Companies Acts and carrying on business in Mumbai (hereinafter referred to as 'the bank' which expression shall be deemed to include its successors and assigns) of the first part _____ inhabitants carrying on business at _____ in Mumbai under the style and name of Messer's _____ (hereinafter referred to as 'the consultant') of the second part Shri. _____

THE MUNICIPAL COMMISSIONER FOR BRIHANMUMBAI (hereinafter referred to as 'the commissioner' which expression shall be deemed, also to include his successor or successors for the time being in the said office of Municipal Commissioner) of the third part and THE BRIHANMUMBAI MUNICIPAL CORPORATION (hereinafter referred to as 'the Corporation') of the fourth part WHEREAS the consultants have submitted to the Commissioner tender for the execution of the work of " _____ and the terms of such tender /contract require that the consultants shall deposit with the Commissioner as/contract deposit/ earnest money and /or the security a sum of Rs. _____ (Rupees _____) AND WHEREAS if and when any such tender is accepted by the Commissioner, the contract to be entered into in furtherance thereof by the consultants will provide that such deposit shall remain with and be appropriated by the Commissioner towards the Security - deposit to be taken under the contract and be redeemable by the consultants, if they shall duly and faithfully carry out the terms and provisions of such contract and shall duly satisfy all claims properly chargeable against them there under AND WHEREAS the consultants are constituents of the Bank and in order to facilitate the keeping of the accounts of the consultants, the Bank with the consent and concurrence of the consultants has requested the Commissioner to accept the undertaking of the Bank hereinafter contained, in place of the contractors depositing with the Commissioner the said sum as earnest money and /or security as aforesaid AND WHEREAS accordingly the Commissioner has agreed to accept such undertaking NOW THIS AGRREMENT WITNESSES that in consideration of the premises, the Bank at the request of the consultants (hereby testified) UNDERTAKES WITH the commissioner to pay to the commissioner upon demand in writing , whenever required by him , from time to time , so to do , a sum not exceeding in the whole Rs. _____ (Rupees _____) under the terms of the said tender and /or the contract .The B.G. Is valid up to _____ "Notwithstanding anything what has been stated above, our liability under the above guarantee is restricted to Rs. _____ only and guarantee shall remain in force up to _____ unless the demand or claim under this guarantee is made on us in writing on or before _____ all your right under the above guarantee shall be forfeited and we shall be released from all liabilities under the guarantee thereafter"

IN WITNESS WHEREOF

WITNESS(1) _____

Name and _____

address _____

WITNESS(2) _____

Name and _____ the duly constituted Attorney Manager

address _____

the Bank and the said Messer's _____

_____ (Name of the Bank)

WITNESS(1) _____

Name and _____

address _____

WITNESS(2) _____

Name and _____

For Messer's _____

address _____

have here into set their respective hands the day and year first above written.

The amount shall be inserted by the Guarantor, representing the Contract Deposit in Indian Rupees.

Annexure- D**Rate Analysis**

Item Description

| Sr. No. | Description of rate analysis parameters | Unit | Quantity | Rate | Amount |
|---------|--|------|----------|------|--------|
| | Basic Material (Rate should be inclusive of all taxes) | | | | |
| 2 | Machinery Hire Charges | | | | |
| 3 | Labour Type | | | | |
| 4 | Total of all components | | | | |
| 5 | Overhead & Profit 15% on 4 | | | | |
| 6 | Total Rate (4+5) | | | | |
| 7 | Per unit rate | | | | |

Sign & Seal of the Tenderer

Annexure A (I)**Irrevocable Undertaking****(On Rs. 500/- Stamp Paper to be submitted by lowest bidder after opening of C packet)**

I Shri/Smt.....aged,years Indian Inhabitant, Proprietor/ Partner /
 Director of M/sresident at

..... do hereby give Irrevocable undertaking as under:

- I say & undertake that as specified in section 171 of CGST Act, 2017, any reduction in rate of tax on supply of goods or services or the benefit of input tax credit shall be mandatorily passed on to BMC by way of commensurate reduction in prices.
- I further say and undertake that I understand that in case the same is not passed on and is discovered at any later stage , BMC shall be at liberty to initiate legal action against me for its recovery including, but not limited to, an appeal to the Screening Committee of the GST counsel.
- I say that above said Irrevocable Undertaking is binding upon me/my partners/company /other Directors of the company and also upon my / our legal heirs, assignee, Executor, administrator etc.
- If I fail to compliance with the provisions of GST Act, I shall be liable for penalty / punishment or both as per the provisions of GST act.

Whatever has been stated here in above is true & correct to my own knowledge and belief.

Solemnly affirmed at

DEPONANT

This day of

BEFORE ME

Interpreted Explained and Identified by me

Special Annexure' A'**Tax**

G.S.T. and other state levies/cess which are not subsumed under GST will be applicable. The tenderer shall quote inclusive of all taxes applicable at the time of bid submission. It is clearly understood that BMC will not bear any additional liability towards payment of any Taxes & Duties.

Wherever the Service to be provided by the Tenderers, falls under Reverse Charge Mechanism, the Price quoted shall be exclusive of GST, but inclusive of Taxes/Duties/ Cess other than GST, if any.

Rates accepted by BMC shall hold good till completion of work and no additional individual claim shall be admissible on account of fluctuations in market rates; increase in taxes / any other levies/tolls etc. except that payment/recovery for overall market situation shall be made as per price variation and if there is any subsequent change (after submission of bid) in rate of GST applicable on the work / services to be executed as per tender, i.e. any increase will be reimbursed by BMC whereas any reduction in the rate of GST shall be passed on to BMC as per the provisions of the GST Act.

“As per CA/Finance/Proj/City/17 dtd06.09.2017“Chapter XXI-Miscellaneous section 171(1) of GST Act,2017 governs the 'Anti Profiting Measure' (AMP). As per the provision of this section, 'Any reduction in rate of tax on any supply of goods or services or the benefit of input tax credit shall be passed on to the recipient by way of commensurate reduction in process.'

Accordingly, the contractor should pass on the complete benefit accruing to him on account of reduced tax rate or additional input tax credit, to BMC.

Further, all the provisions of GST Act will be applicable to the tender.

PROFORMAS:**PROFORMA- I**

The list of similar works as stated in para 'A' of Post qualification during last five years–

| PROFORMA- I | | | | |
|--------------------|---------------------|----------------------|-------------------------------|---------------------------|
| Sr. No. | Name of the Project | Name of the employer | Stipulated date of completion | Actual date of completion |
| 1 | 2 | 3 | 4 | 5 |
| | | | | |
| | | | | |
| | | | | |
| | | | | |
| | | | | |

NOTE:

Scanned Attested copies of completion/performance certificates from the Engineer-in-Charge for each work should be annexed in the support of information furnished in the above proforma.

Works shall be grouped financial year-wise.

PROFORMA- II

Yearly turnover of Works during the last five years.

| PROFORMA- II | | | | |
|---------------------|----------------|--|-------------------------------|------------------------|
| Sr. No. | Financial year | Annual Turnover of Civil Engineering Works | Updated value to current year | Average of last 5years |
| 1 | | | | |
| 2 | | | | |
| 3 | | | | |
| 4 | | | | |
| 5 | | | | |
| Total | | | | |

NOTE: The above figures shall tally with the audited balance sheets uploaded by the tenderers duly certified by Chartered Accountant.

PROFORMA- III

At least similar work, as stated in para 'A' of Post qualification,.

| PROFORMA- III | | | | | | |
|----------------------|----------------------|---------------------|-----------------------------|-------------------------------|---------------------------|--------------------------|
| Name of the Project | Name of the Employer | Cost of the Project | Date of issue of work Order | Stipulated Date of Completion | Actual Date of Completion | Actual cost of work done |
| 1 | 2 | 3 | 4 | 5 | 6 | 7 |
| | | | | | | |
| | | | | | | |
| | | | | | | |
| | | | | | | |
| | | | | | | |

Note: Scanned Attested copies of completion/performance certificates from the Engineer-in-charge for each work should be annexed in support of information furnished in the above proforma.

PERSONNEL:

| PROFORMA- IV | | | | |
|---------------------|--------------------------|------------------------------|---------------|-----------------|
| Sr. No. | Post | Name | Qualification | Work Experience |
| | | (Prime Candidate/ Alternate) | | No. of Years |
| 1 | Project Manager | | | |
| 2 | Quality Control Engineer | | | |
| 3 | Site Engineer | | | |
| 4 | Site Supervisor | | | |

NOTE: Scanned Attested copies of qualification certificates and details of work experience shall be submitted /uploaded.

MACHINERY: (for special work only)

| PROFORMA- V/A | | | |
|----------------------|-----------|--------|-----------------------------|
| Sr. No. | Equipment | Number | Owned/Leased/Assured access |
| 1 | 2 | 3 | 4 |

| PROFORMA- V/B | | | |
|----------------------|-----------|--------|-----------------------------|
| Sr. No. | Equipment | Number | Owned/Leased/Assured access |
| 1 | 2 | 3 | 4 |

Note: The tenderer(s) shall furnish/upload the requisite Scanned Attested documents of ownership/leased of machineries. The undertaking from the suppliers will not be accepted.

PROFORMA - VI / A

Details of Existing Commitments and ongoing works –

| PROFORMA - VI / A | | | | | | |
|--------------------------|-------|--------------------|------------------------------|--------------------------|------------------------------|---|
| Description of work | Place | Contract No. &Date | Name & Addresses of employer | Value of Contract in Rs. | Scheduled date of completion | Value of work remaining to be completed |
| 1 | 2 | 3 | 4 | 5 | 6 | 7 |
| | | | | | | |
| | | | | | | |
| | | | | | | |
| | | | | | | |
| | | | | | | |

Note: Scanned Attested copies of completion/performance certificates from the Engineer-in-Charge for each work should be annexed in the support of information furnished in the above proforma.

PROFORMA - VI / B

Details of works for which bids are already uploaded –

| PROFORMA - VI / B | | | | | |
|--------------------------|-------|-----------------------------|--------------------------|-------------|------------------------------------|
| Description of work | Place | Name &Addresses of employee | Value of Contract in Rs. | Time Period | Date on which decision is expected |
| 1 | 2 | 3 | 4 | 5 | 6 |
| | | | | | |
| | | | | | |

Note: Scanned Attested copies of certificates from the Engineer-in-charge for each work shall be annexed.

**PROFORMA FOR THE UNDERTAKING TO
BE SUBMITTED BY THE QUOTIONER ON Rs.500/- STAMP PAPER**

(As per circular no. DMC/CPD/OD/15 dt. 06.05.2013)

To,
The Municipal Commissioner,
For the Brihanmumbai Municipal Corporation

Bid No. 7200037144

**Name of the Work - Providing three layers epoxy based anticorrosive coating to
New Tansa main from Tansa to Pogaon and Vaitarna main from
Pachhapur to Pogaon under Ex. Eng. (Operations) in O.C. Division.**

"I/We.....
(full name in capital letters, starting with surname), the Proprietor /Managing partner/Managing Director/Holder of the Business/Manufacturer/Authorized Dealer, for the establishment/firm/registered company, named herein below, do hereby, state and declare that I/We whose names are given herein below in details with the addresses have not filled in this tender under any other name or under the name of any other establishment / firm or otherwise, nor are we in any way related or concerned with any establishment / firm or any other person, who have filled in the tender for the aforesaid work".

"I/We do hereby further undertake that, we have offered the best prices for the subject supply/work as per the present market rates. **Further, we do hereby undertake and commit that we have not offered/supplied the subject product /similar product / systems or sub systems in the past one year in the Maharashtra state for quantity variation up to -50% or +10% at a price lower than that offered in the present bid to any other outside agencies including Govt./Semi Govt. Agencies and within M.C.G.M. also.** Further, we have filled in the accompanying tender with full knowledge of the above liabilities and therefore we will not raise any objection or dispute in any manner relating to any action including forfeiture of deposit and blacklisting, for giving any information which is found to be incorrect and against the instructions and directions given in this behalf in this tender.

I/We further agree and undertake that in the event it is revealed subsequently after the allotment of work/contract to me/us, that any information given by me/us in this tender is false or incorrect, I/We shall compensate the Brihanmumbai Municipal Corporation for any such losses or inconvenience caused to the Corporation in any manner and will not resist any claim for such compensation on any ground whatsoever. I/We agree and undertake that I/We shall not claim in such case any amount by way of damages or compensation for cancellation of the contract given to me/us or any work assigned to me/us or is withdrawn by the corporation."

However, in case of price difference, if it is a result of differential tax structures, different Dollar value of Rupee, differential logistic of transport etc. Considering this aspect, before invoking the penalty, blacklisting, I/we will be given a reasonable opportunity of being heard by representing our, case as to why such price variation/differential has been arisen.

In case if the explanation submitted by me/us is unsatisfactory then action including forfeiture of deposit & blacklisting may be taken against me/us.

Tenderer's Full name, signature and

Address with rubber stamp

Note : This affidavit should be given on Rs. 500/- stamp paper duly notarized by Notary with red seal and registration number.

UNDERTAKING FOR SITE VISIT**(On Rs. 500/- Stamp Paper to be submitted in Packet 'A')**

I _____ Proprietor / Partners/ Directors having my/ our office
address _____

do hereby state & undertake as follows.

I, say that I have submitted my tender for the work of

_____ having bid
invitation No. _____ for the Brihanmumbai Municipal Corporation

I affirm that , I have inspected the site of work before the submission of tender on date
_____ & reckoned all probable difficulties as could be reasonably foreseen by us as
experienced contractors. This is in pursuance of the relevant provision in this behalf in the conditions
of contract which shall be binding on us.

Place:

Dated:

Proprietor/Partners/Directors/POA Holder
(Seal of Firm/Co.)

Identified by me,

BEFORE ME

ON THEIR LETTER HEAD

Date: _____

To,

The Municipal Commissioner,
Brihanmumbai Municipal Corporation,
Mumbai.

Subject:

.....
.....

Sir,

We, the undersigned hereby undertake that –

The work will be strictly carried out as per BMC's specification & requirements.

Yours faithfully,

Digital Signature
& Rubber Stamp.

MUNICIPAL CORPORATION OF GREATER MUMBAI**CIRCULAR**

U/No.MGC/F/6342 dated 5.5.2018

Sub.: Revised guidelines regarding barricades being used during the execution of various infrastructure development projects by MCGM in Mumbai.

Various infrastructure development projects are being executed by MCGM for the betterment of citizens of Mumbai. During the course of execution of the projects, it is necessary to provide strong and secured barricading as a safety measure to avoid any mishaps as well as to avoid nuisance to vehicular and pedestrian traffic. Nowadays, the following types of barricades are being used exclusively in MCGM as per the convenience of various departments at different sites.

1. Water/sand fillable PVC Metro barricades.
2. RW 7.45 (G.I. sheets of 22 gauge fixed on 3 inch dia. Wooden bullies buried in existing road sufficiently)
3. RW 7.36 (G.I. sheets of 22 gauge fixed on MS Angle post buried in half the depth in drums of 20 litres capacity in 1:3:6 concrete)
4. Structural steel barricade for major trenches having depth more than 2.00 meters.

Thus from the above, it can be seen that there is no uniformity in provision of barricades as they are of different size and shape. Further it is also observed that the continuity is not maintained in providing the barricading keeping gaps in between thus endangering the safety of vehicular as well as pedestrian traffic. Also the barricades are not being cleaned, thus further adding to shabbiness. Further Mumbai being the financial capital of India, people from all over the world visit the city daily and to maintain good image of city the following decisions are taken.

The condition shall be included in the tender as given below. “
Barricading shall be provided free of cost as per Circular vide U/No.MGC/F/6342 dated 5.5.2018 and as per Annexure I, II and III of Standard drawings and specifications with slogans and department wise colour codes.” The copy of circular will be attached to the tender as a part of tender document.

This circular will be applicable for the new tenders proposed to be invited from 01.06.2018 and also the corrigendum shall be attached to tenders which are uploaded. However, for the projects wherein the tenders are already invited, the barricading shall be provided strictly as per tender condition. All the details (Annexure I, II & III of Standard drawings and specifications with slogans and department wise colour codes, sketches and department wise colour coding) are uploaded on MCGM portal.

This circular shall come in force with immediate effect.

sd/- 20.4.2018
(Shri V.P. Chithore)
Dir.(ES&P)

sd/- 20.4.2018
(Shri R. B. Bambale)
D.M.C.(S.E.)

sd/- 21.4.2018
(Shri Vijay Singhal)
A.M.C.(E.S.)

sd/- 21.4.2018
(Dr. Shri Sanjay Mukherjee)
A.M.C.(P.)

sd/- 5.5.2018
(Shri Ajoy Mehta)
M. C.

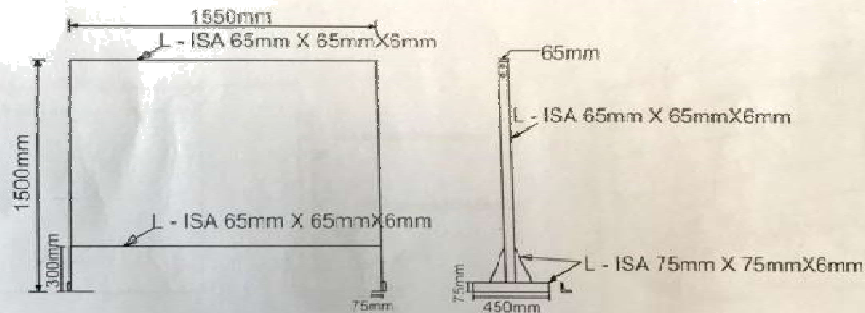
sd/- 16.5.2018
(Shri V.P. Chithore)
Dir.(ES&P)

sd/- 16.5.2018
(Shri P. R. Kadam)
D.M.C.(S.E.)

ANNEXURE I

A) Minor work

Providing, fabricating and installing the barricading made out of 1.5 m high M.S. Angle post of 65 mm X 65 mm X 6 mm with 1.5 mm thick M.S. Sheet of size 1.55 m X 1.2 m welded to the M.S. angle post/ frames and fixed to 75mm X 75mm X 6 mm angle base as shown in sketch for minor works, displaying of the social slogan as per the Annex- III, daily cleaning of the same to get better appearance and interlocking arrangement to ensure continuity in provision and to avoid gap in between etc complete and as directed by Engineer in-charge.



ANNEXURE II

B) Major works:

Providing, fabricating and installing the structural steel barricading made out of 1.5 mm thick M.S. plate of size 2500 mm X 2000 mm, ISMC 250 X 50 channel, M.S. Angles ISA 50 X 50 X 6mm and ISMB 250 as per IS 1161-1 RHS/SHS rolled angle plates of TATA Steel, Lloyd Steel, SAIL, TSSAR steel approved in straight profile of all sizes, shapes and for all works including stiffeners, bolts and nuts, fillet / butt welding, splicing, machine grinding, of all member joints wherever required to give neat appearance and daily cleaning the barricading along with displaying of the Depthwise slogans as given in Annexure- III etc with interlocking arrangement to avoid gap in between and as directed by Engineer in-charge.

